

PNEUMATRON

www.pneumatron.co.za

sales01@pneumatron.co.za

PVX3XXW Series ELECTRIC BALL VALVE - 3/2 Way STAINLESS

SPECIFICATIONS:

Media: Compatible with Stainless Steel, PTFE & EPDM.

Ambient temperature: Minus 15 to 50 Deg C

Media temperature: 2 to 95 Degrees C

Voltages: 9/24 VDC and 110/230VAC

Lower Voltage applied, Lowers Speed of movement.

Valve type: 3 Way L Type

Open/Close Time: 15 sec

Actuator rotation: 90°

(Cable Length 500 mm)



Port & Orifice Size	Pressure Range	Wiring Diagram	Body
1/2" BSP (Or=12 mm)	0 to 10 Bar	See page 2/3	PVX315WXXDX
3/4" BSP (Or=15 mm)	0 to 10 Bar	See page 2/3	PVX320WXXDX
1" BSP (Or=18 mm)	0 to 10 Bar	See page 2/3	PVX325WXXDX

NOTE: All ball valves requires at least 1 minute to 3 minutes to charge capacitor for first time use, depending on size.

Wiring options:

Please refer to page 2/3 or phone/email us for assistance.

PVX - PVC=Normally/Fail Closed, PVO=Normally/Fail Open, PVD=Detend (Depends on wiring)

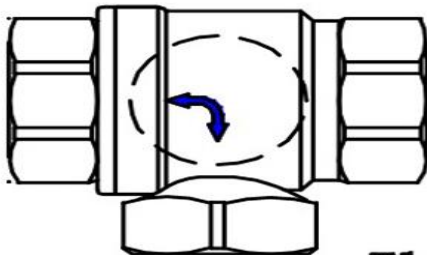
WXX - Describes wiring type page 2/3 (typically W22 or W31...)

DX - Describes voltage (D1=AC110-220V, D2=AC/DC9-24V)

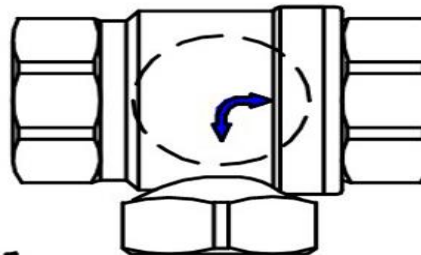
Flow diagram:

Horizontal type 3-way L-bore SS304

Position 1



Position 2



Flow plan

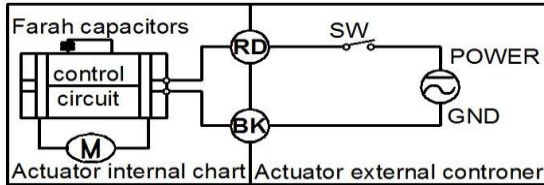
PNEUMATRON

www.pneumatron.co.za

sales01@pneumatron.co.za

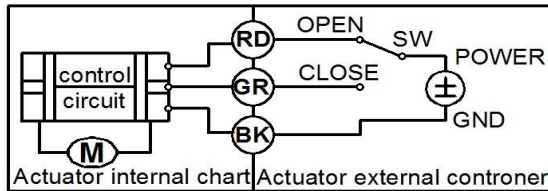
Wiring diagrams

W22 (2 Wire control - Spring return)



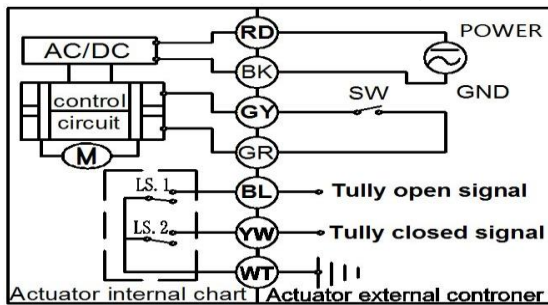
SW is closed, the valve opens. Actuator switches off automatically when ball valve is completely open.
SW is open, the valve closes. Actuator switches off automatically when ball valve is completely closed.

W31 (3 Wire control)



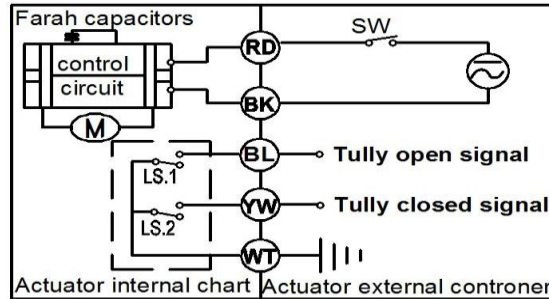
RD & GR connects to positive, BK connects to negative
When RD & SW are connected, the valve opens. Actuator switches off automatically when ball valve is completely open. Valve remains in open position
When GR & SW are connected, the valve closes. Actuator switches off automatically when ball valve is completely closed. Valve remains in closed position.

W74 (7 Wire control with feedback signal)



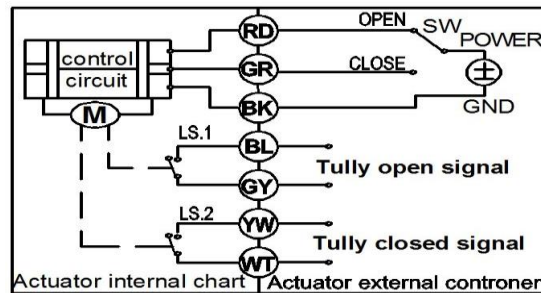
RD & BK are connected to the power, WT & YW are connected to the control wiring.
When the SW is closed, the valve will be open.
When SW is open, the valve will be closed.
BL & GY connects with the valve's fully-open signal wiring.
YW & WT connects with the valve's fully-closed signal wiring.

W52 (With feedback signal)



SW is closed, the valve opens. Actuator switches off automatically when ball valve is completely open.
SW is open, the valve closes. Actuator switches off automatically when ball valve is completely closed.
BL & WT connects to signal when the valve is fully open.
YW & WT connects to signal when the valve is fully closed.

W72 (7 Wire control with feedback signal)



RD & GR connects to positive, BK connects to negative
When RD & SW are connected, the valve opens. Actuator switches off automatically when the ball valve is completely open.
When GR & SW are connected, the valve closes. Actuator switches off automatically when the ball valve is completely closed.
BL & GY connects to the valve's fully-open signal wiring.
YW & WT connects to the valve's fully-closed signal wiring.

SW	- Switch
BL	- Blue
WT	- White
YW	- Yellow
RD	- Red
GR	- Green
BK	- Black
GY	- Gray

PNEUMATRON

www.pneumatron.co.za

sales01@pneumatron.co.za

Torque	Voltage	Wiring	A TYPE	C TYPE	B TYPE
2 Nm	5V	W21	Y	Y	Y
		W31/W72	Y	Y	Y
		W51	Y	Y	Y
	12/24V	W21	Y	Y	Y
		W31/W72	Y	Y	Y
		W51	Y	Y	Y
	9-24VDC	W32/W71	Y	Y	Y
	AC110-230V	W22		Y	
		W33/W73		Y	
		W41/W74		Y	
		W52		Y	
	AC/DC9-24V	W22		Y	Y
W33/W73		Y	Y	Y	
W52			Y	Y	
10 Nm	DC12V/24V	W21		Y	
		W33/W73		Y	
		W51		Y	
	AC/DC9-24V	W22		Y	
		W22		Y	
	AC110V-230V	W41/W74		Y	
		W52		Y	

A TYPE: No Indicator, no Manual override.

B TYPE: With both Indicator and manual override.

C TYPE: With only Indicator.

2 Nm Actuator usually used for valves 1/8" to 1 1/2".

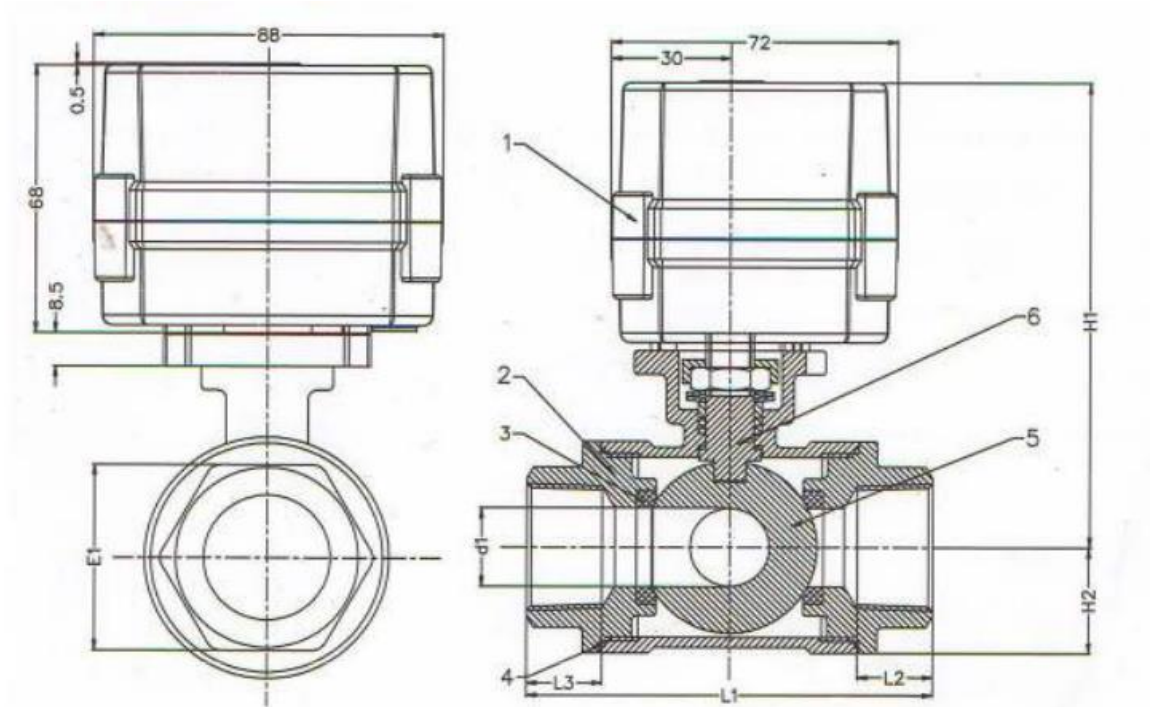
10 Nm Actuator usually used for valves 1 1/2" to 2".

PNEUMATRON

www.pneumatron.co.za

sales01@pneumatron.co.za

Dimensions



BODY DIMENSION CODE(Size in mm)						
Valve body	D1/D2	L1	L2/L3	E1	H1	H2
PVX315WXXDX	1/2" (12mm)	68	14	24.5	104	18
PVX320WXXDX	3/4" (15mm)	75	16	31	107	20
PVX325WXXDX	1" (18mm)	85	17	38.5	114.5	23.5