

# PNEUMATRON

www.pneumatron.co.za

sales01@pneumatron.co.za

## PVPA2XX-420 Series

### ELECTRIC MOTOR - 2/2 Way PROPORTIONAL STAINLESS BALL VALVE with FeedBack

#### PLEASE NOTE

There are Electronic Boards inside these valve actuators and therefore they cannot be mounted on vibrating surfaces or pipes. Mount them on a fixed surface and connect to the generator with rubber hoses.

#### SPECIFICATIONS:

Media: Compatible media with Stainless Steel, PTFE & EPDM.

Ambient temperature: Minus 15 to 50 Deg C

Media temperature: 2 to 95 Degrees C

Voltages: DC12-24V

Control Signal: 4-20mA STANDARD (0-5V or 0-10V Optional)

Open/Close Time: +/- 12 Seconds

Max. torque: 15Nm

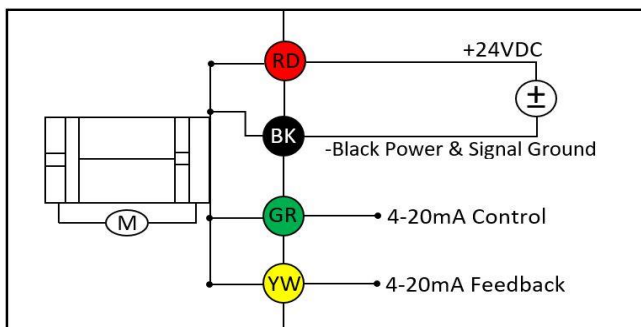
Includes FEEDBACK & MANUAL OVERRIDE

Actuator Protection: IP67



Port & Orifice size	Orifice (mm)	Pressure Range	Wiring Diagram	Part Number
1 1/2" BSP	38	0 to 10 Bar	See below diagram	PVPA240-420-420
2" BSP	49	0 to 10 Bar		PVPA250-420-420

#### Wiring diagram:



#### POWER INPUT:

RD (Red wire) connect to +DC9-24V Positive  
BK (Black Wire) connect -DC9-24V Negative( 0V)

#### CONTROL SIGNAL INPUT:

GR (Green Wire) Proportional Control Signal  
+4 to 20mA(-420 type) (4mA is Closed and 20mA Open)

BK (Black Wire- ALSO Acts as 0V for control)

#### POSITION FEEDBACK SIGNAL OUTPUT:

YW (Yellow) +4 to 20mA(-420 Type) Feedback signal

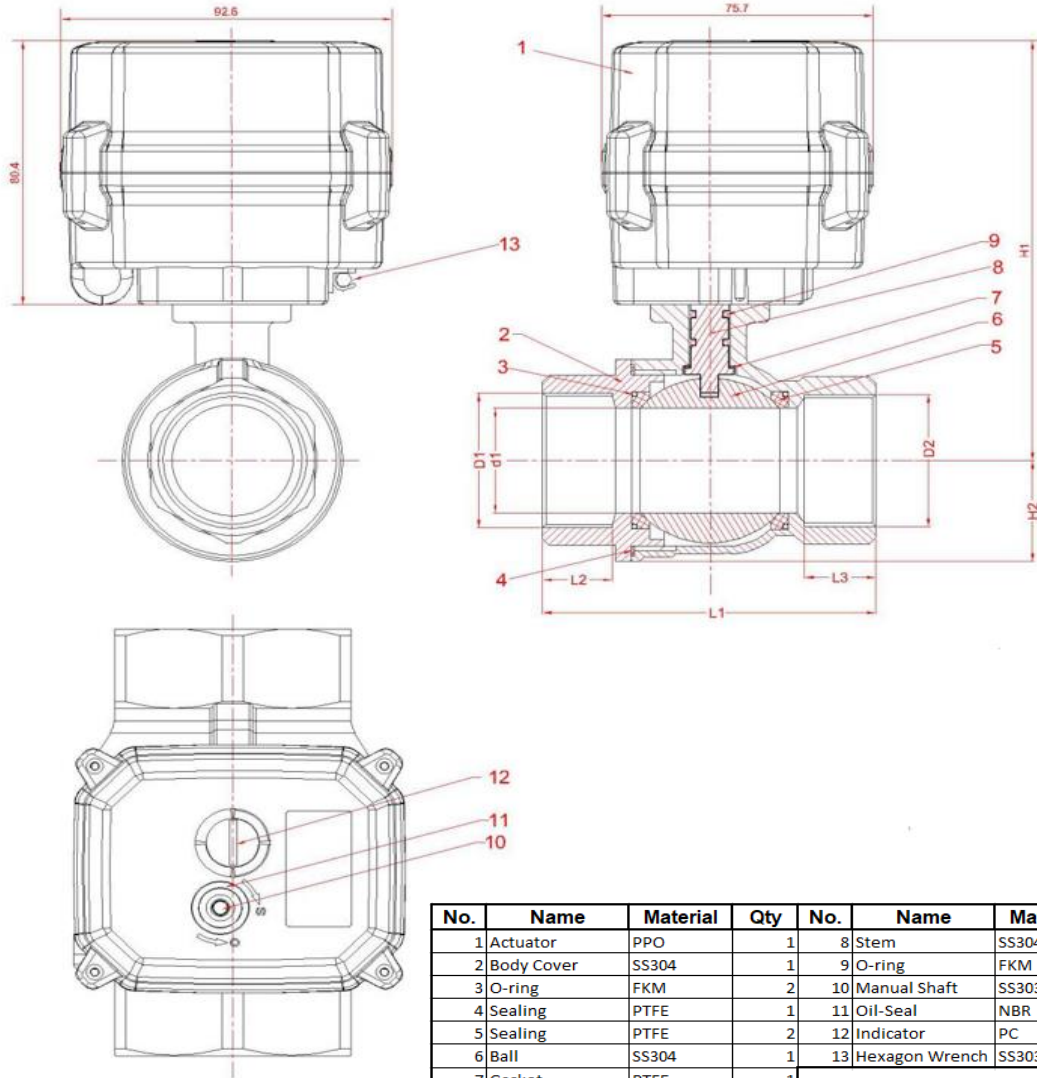
BK (Black Wire- ALSO Acts as 0V for feedback)

# PNEUMATRON

www.pneumatron.co.za

sales01@pneumatron.co.za

## Dimensions



### BODY DIMENSION CODE(Size in mm)

Valve body	D1/D2	d1	L1	L2/L3	E1	H1	H2
PVPA240-420-420	1 1/2"	38	115	25+/-1	52	130	36
PVPA250-420-420	2"	49	130	25+/-1	66	141.4	44.5