

PNEUMATRON

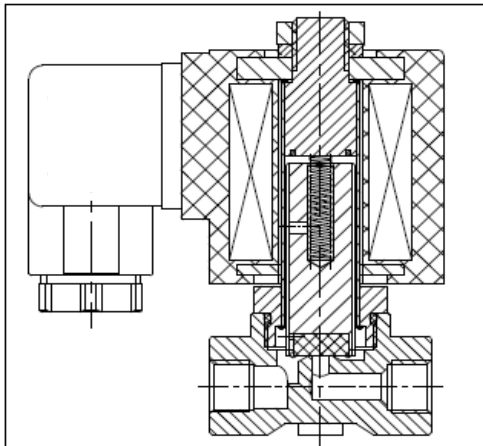
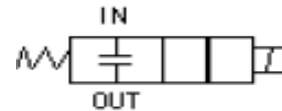
www.pneumatron.co.za

sales01@pneumatron.co.za

2/2 Industrial Solenoid Valve PSM23 Series , Direct Acting (N/Open)

- Characteristic:**
1. Direct acting miniature construction at low power consumption
 2. Compact design to save the space
 3. Applied to low pressure system

- Medium:** Air, Water, Steam, Oil, etc
Temperature: NBR: -10°C to 80°C
 PTFE: -20°C to 220°C
 EPDM: -20°C to 120°C
 VITON: -10°C to 140°C
Pressure: PSM23 - 0.0 to 10 Bar
Body: Brass or Stainless Steel SS304
Port Size: 1/8", 1/4"
Orifice (mm): DN 1.6, 2.5, 3.0, 3.5, 4.0, 4.5, 5,0
Coil voltages: V12DC, V24AC/DC, 110/220/380VAC,
Coils: C19DXB, 17VA (AC), 14W (DC), IP65, 100%ED



PSM23 Series, Normally Open with Coils C19D

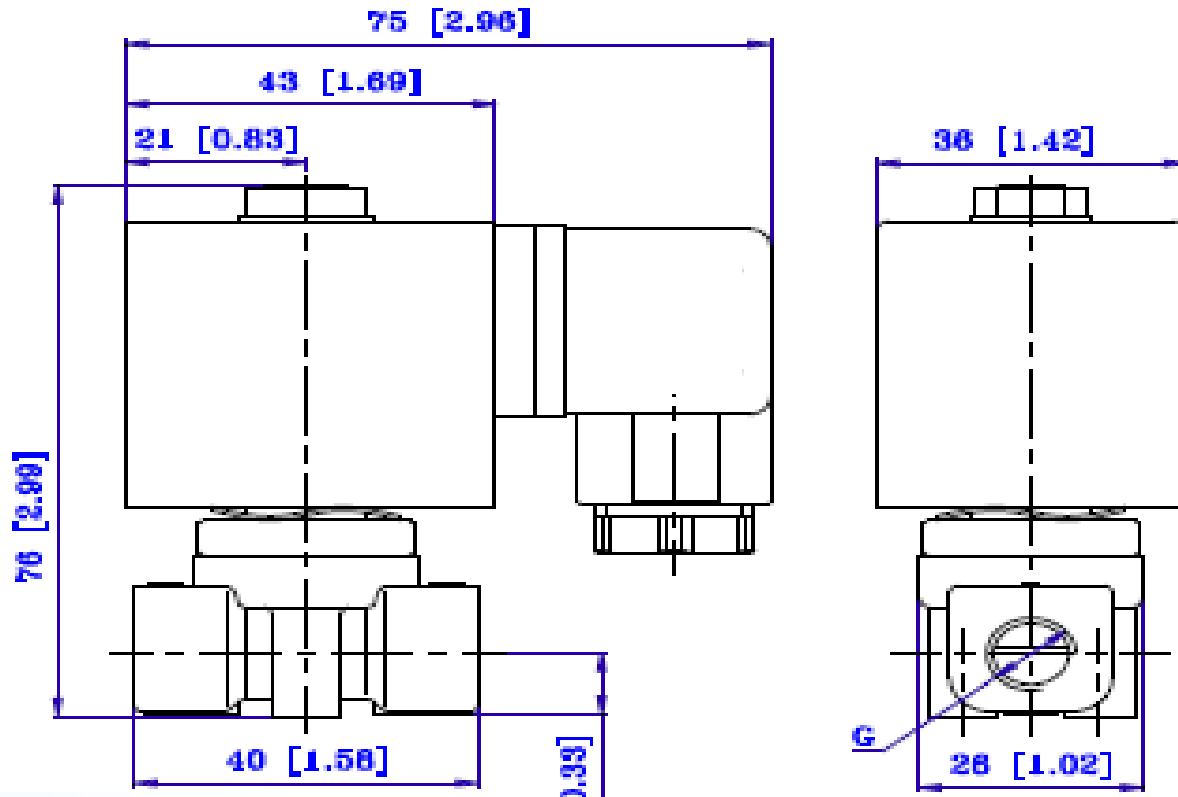
Port Size	Orifice	Kv	Min Pressure	Max Pressure		Seals Material	Body Material	Valve Body	Coil
				AC(17VA)	DC(14W)				
1/4"	1.6	0.09	0.0Bar	25 Bar	25 Bar	VITON	S/S	PSM23SH16S02V	C19D
1/4"	3	0.26	0.0Bar	10 Bar	10 Bar	VITON	S/S	PSM23SH03S02V	C19D
3/8"	5	0.53	0.0Bar	8 Bar	8 Bar	VITON	S/S	PSM23SH05S03V	C19D

PNEUMATRON

www.pneumatron.co.za

sales01@pneumatron.co.za

2/2 Industrial Solenoid Valve PSM23 Series , Direct Acting (N/Open)



FOR 3/8 VALVE SOME SIZES ARE A LITTLE LARGER (COMPARED TO ABOVE SIZES):

1/4 Valve	3/8" Valve
40mm	42mm
26mm	28mm