

PNEUMATRON

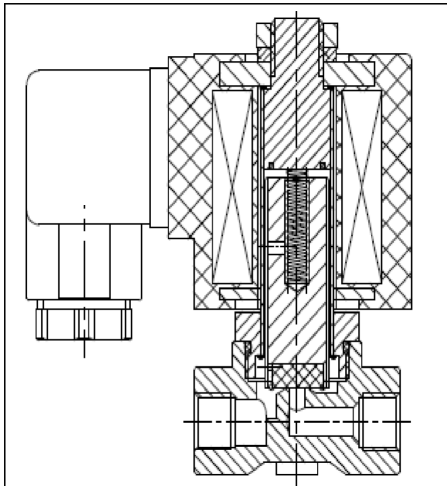
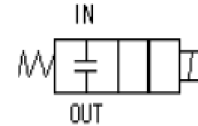
www.pneumatron.co.za

sales01@pneumatron.co.za

2/2 Industrial Solenoid Valve PSM222 Series , Direct Acting (N.C)

- Characteristic:**
1. Direct acting miniature construction at low power consumption
 2. Compact design to save the space
 3. Applied to low pressure system, open from 0 bar

- Medium:** Air, Gas, Water, Oil, etc
Temperature: NBR: -10°C to 80°C (Standard)
Pressure: PSM222 - 0.0 to 10Bar(gasses & Liquids)
Body: Brass (Standard)
Port Size: 1/4"
Orifice (mm): DN 2,5
Coil voltages: 12VDC/24VDC/220VAC
Coils: C11DXB, 8VA (AC), 6.5W (DC), IP65, 100%ED (We include a Din Plug Connector)



Picture does not Show din Plug connector, but it is included.

PSM222 Series, Normally Closed with Coils C11D

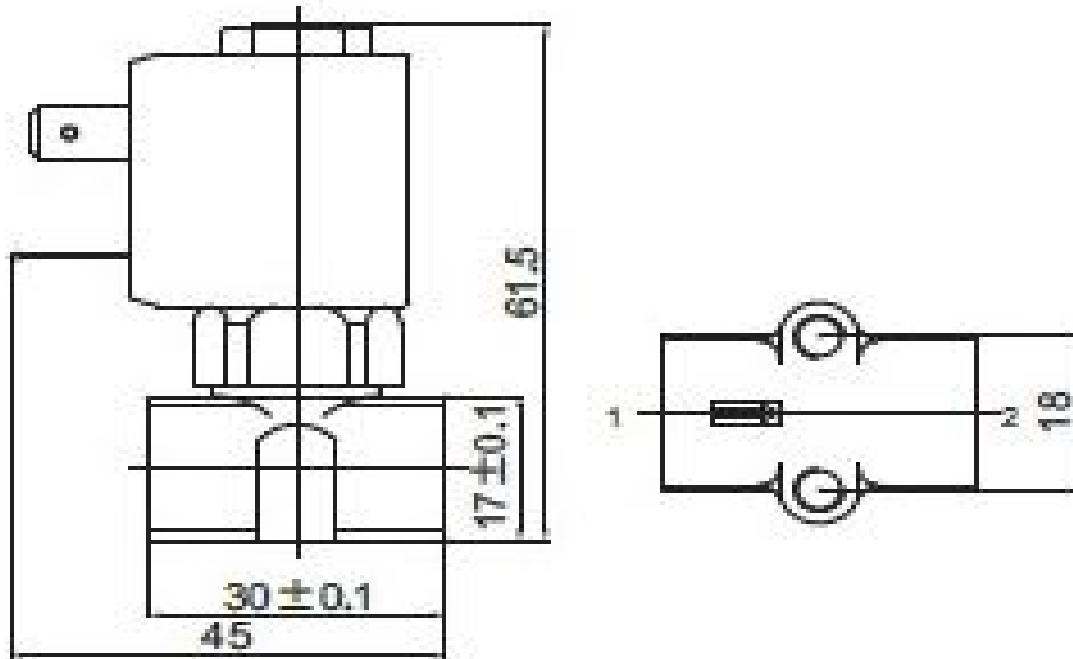
Port Size	Orifice	Kv	Min Pressure	Max Pressure		Seals Material	Body Material	Valve Body	Coil
				AC(8VA)	DC(6.5W)				
1/4"	2.5	0.26	0.0Bar	10 Bar	10 Bar	NBR	Brass	PSM222BH03S02V	C11D

PNEUMATRON

www.pneumatron.co.za

sales01@pneumatron.co.za

2/2 Industrial Solenoid Valve
PSM222 Series , Direct Acting (N.C)



Picture does not Show din Plug connector, but it is included.