

PNEUMATRON

www.pneumatron.co.za

sales01@pneumatron.co.za

POM50 - ON/OFF- ELECTRIC ACTUATOR

ISO5211 MOUNTING STANDARD

PLEASE NOTE

There are Electronic Boards inside these valve actuators and therefore they cannot be mounted on vibrating surfaces or pipes that vibrate excessively.

GENERAL SPECIFICATIONS:

Voltage: AC220V or DC24V

Allowed Ambient Temperature for operational: -20°C to +60°C

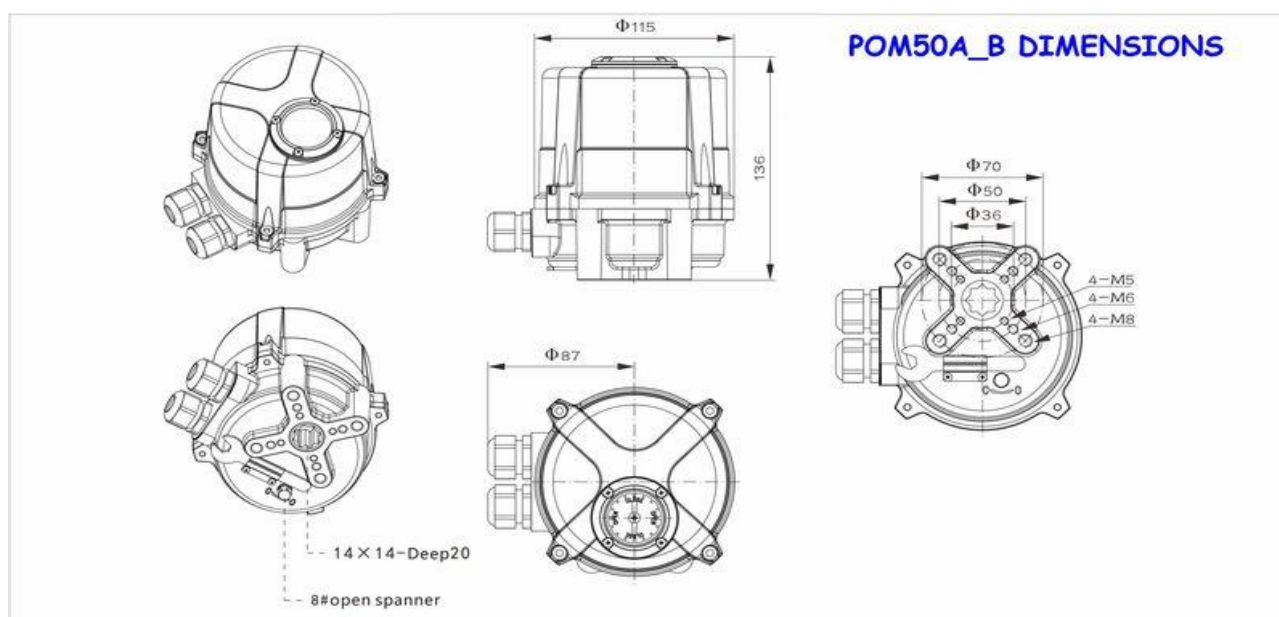
Standard Rotation Angle Preset : 90°

Open/Close Time: 25 Seconds for 220VAC, 20 Seconds for 24VDC

Torque: 50Nm



PART NO:	VOLTAGE Volts	CURRENT Amp	90° RUNTIME Seconds	TORQUE Output Nm	RATING	WEIGHT Kg
POM50	220VAC	0.25	25S	50	IP67	1.95
POM50	24VDC	0.70	20S	50	IP67	1.95



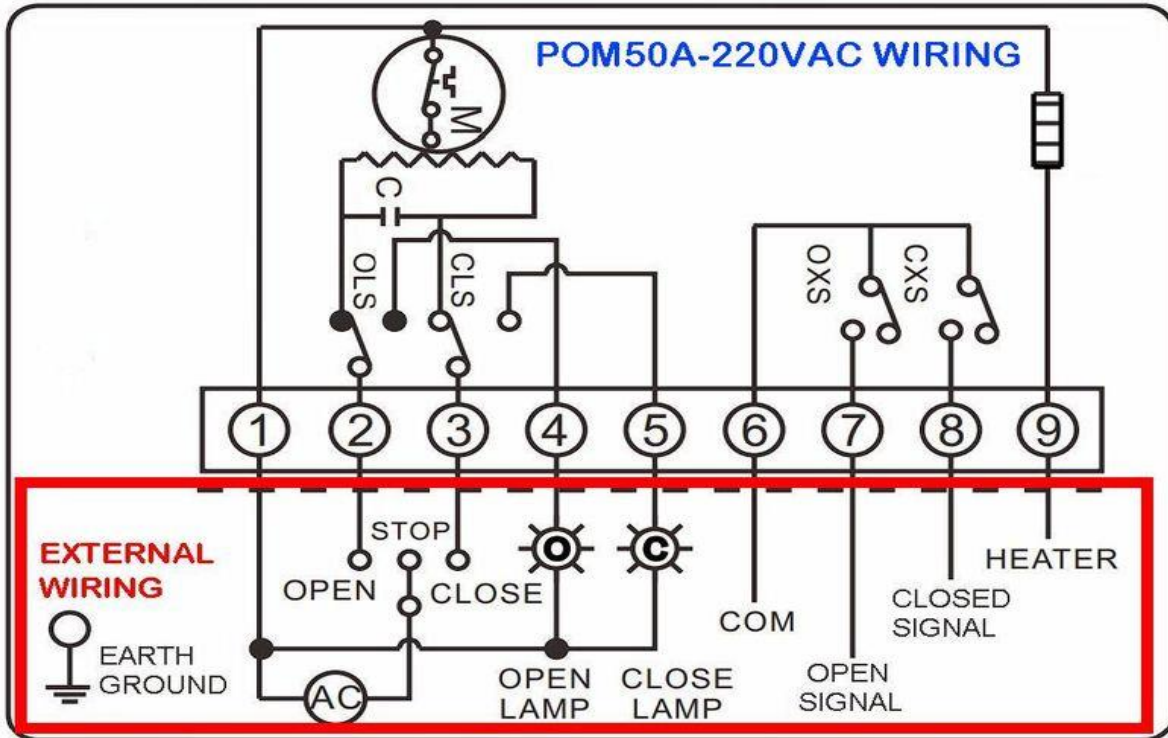
PNEUMATRON

www.pneumatron.co.za

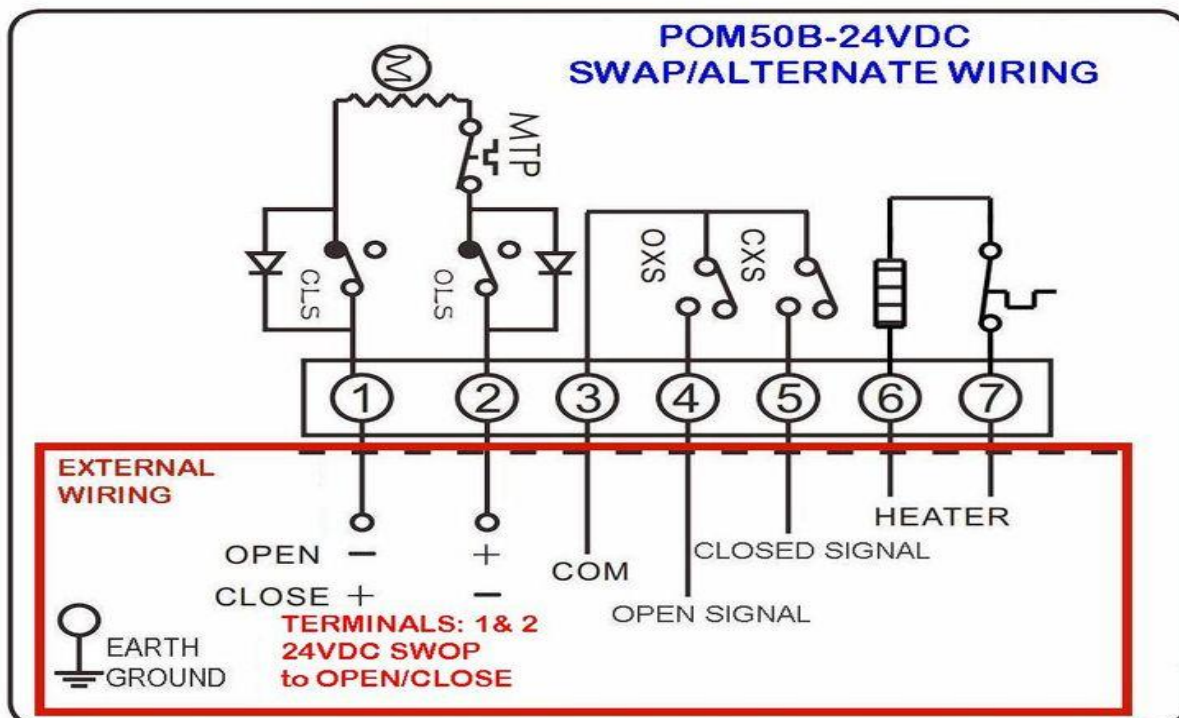
sales01@pneumatron.co.za

POM50 - ACTUATOR WIRING

POM50A - 220VAC



POM50B - 24VDC



PNEUMATRON

www.pneumatron.co.za

sales01@pneumatron.co.za

PVPOM50 - PROPORTIONAL ELECTRIC ACTUATOR

ISO5211 MOUNTING STANDARD

PLEASE NOTE

There are Electronic Boards inside these valve actuators and therefore they cannot be mounted on vibrating surfaces or pipes that vibrate excessively.

GENERAL SPECIFICATIONS:

Voltage: AC220V or DC24V

Control Signal: 4-20mA STANDARD

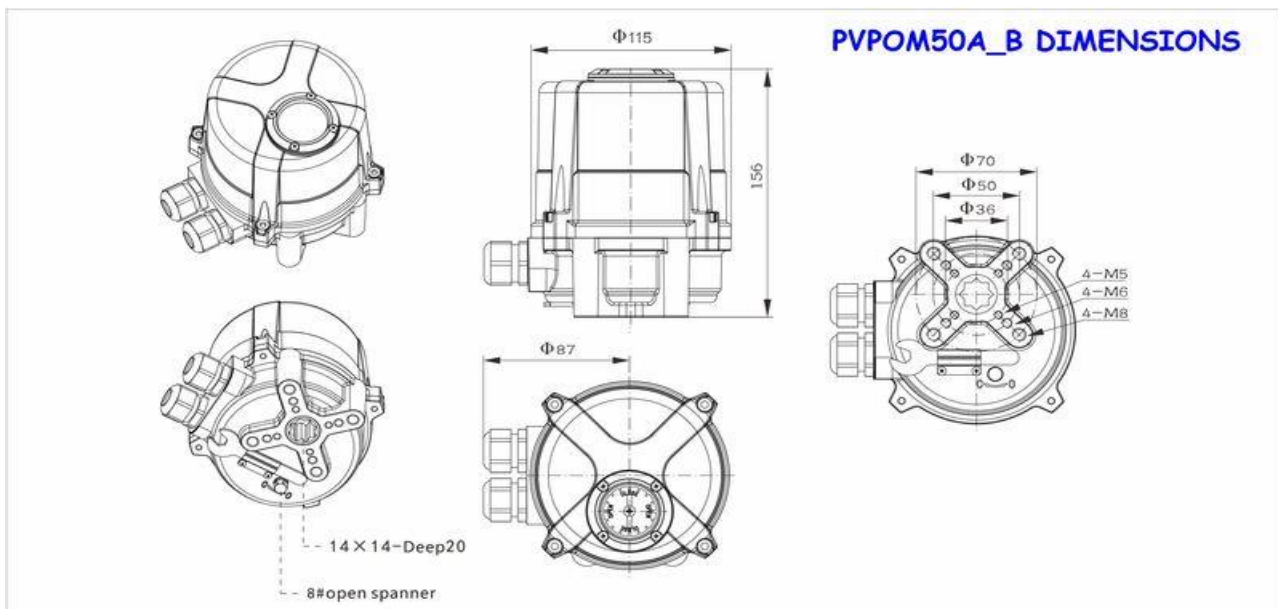
Allowed Ambient Temperature for operational: -20°C to +60°C

Standard Rotation Angle Preset : 90°

Time/Torque: 15 seconds Fastest - 50Nm



PART NO:	VOLTAGE Volts	CONTROL Signal	CURRENT Amp	90° RUNTIME Seconds	TORQUE Output Nm	RATING	WEIGHT Kg
PVPOM50	220VAC	4-20mA	0.25	15S Fastest	50	IP67	1.95
PVPOM50	24VDC	4-20mA	0.70	15S Fastest	50	IP67	1.95



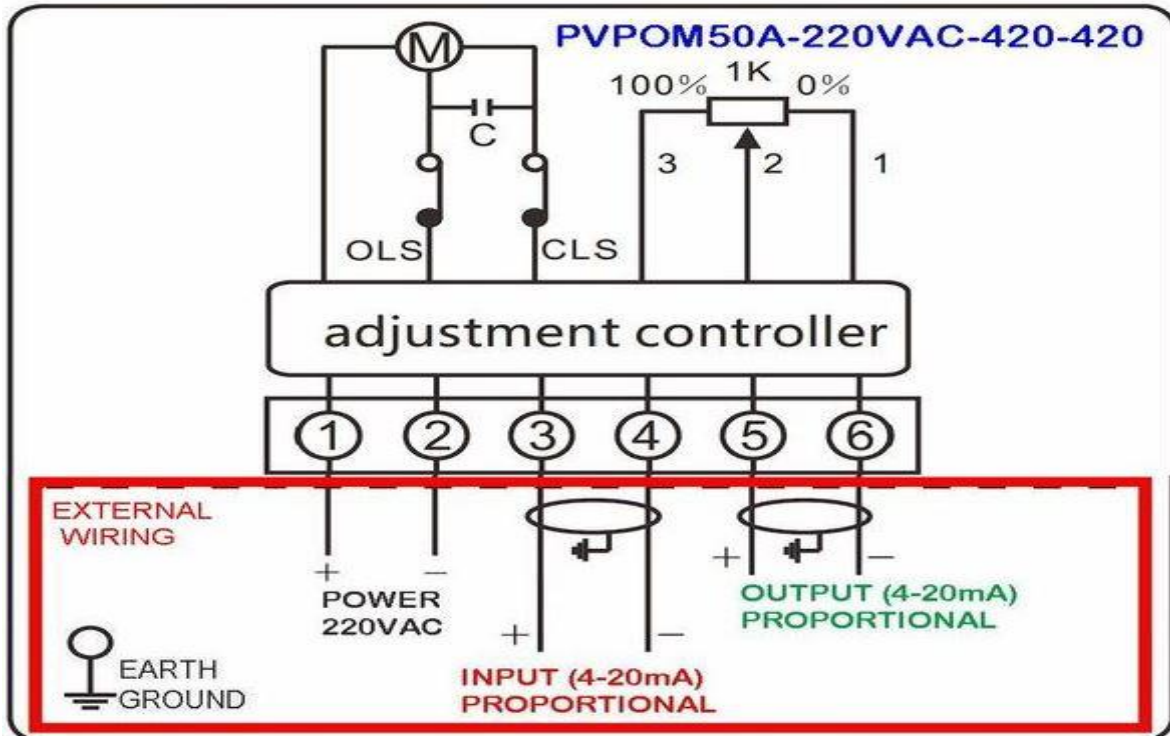
PNEUMATRON

www.pneumatron.co.za

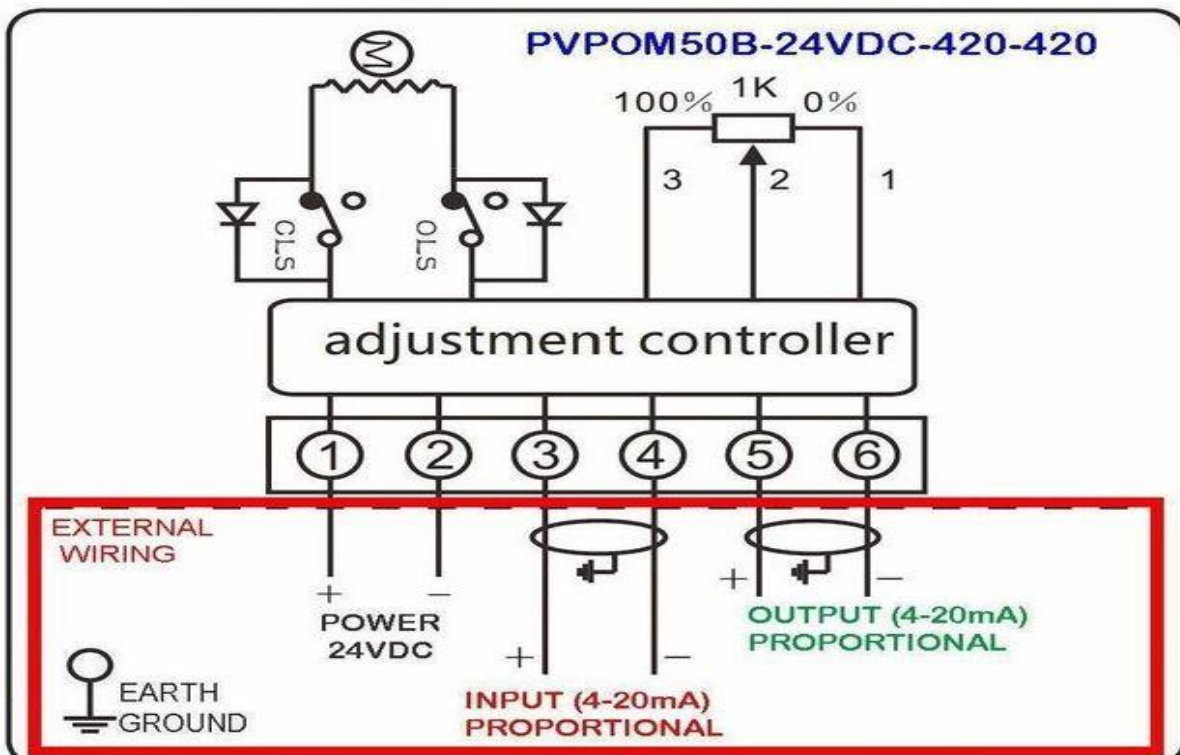
sales01@pneumatron.co.za

PVPOM50 - ACTUATOR WIRING

PVPOM50A - 220VAC



PVPOM50B - 24VDC

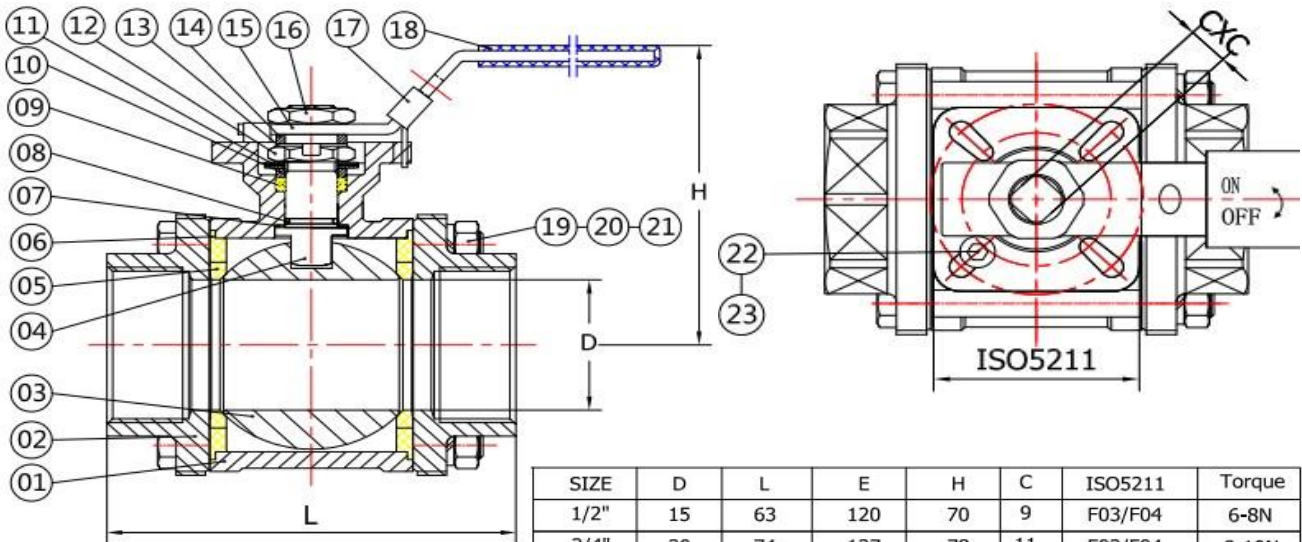


PNEUMATRON

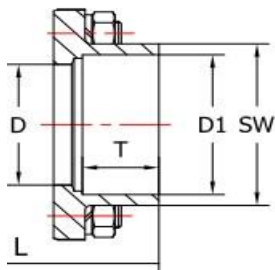
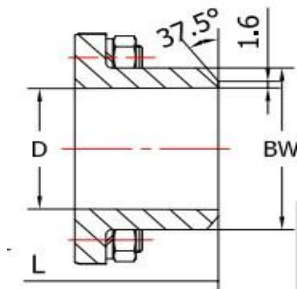
www.pneumatron.co.za

sales01@pneumatron.co.za

3 - PIECE S/STEEL 316 - 2 PORT BALL VALVE Rated MAX 50 Bar Pressure - ISO5211 - VB3B-316-IS



SIZE	D	L	E	H	C	ISO5211	Torque
1/2"	15	63	120	70	9	F03/F04	6-8N
3/4"	20	74	137	78	11	F03/F04	8-10N
1"	25	86	137	82	11	F04/F05	10-12N
1 1/4"	32	96	187	88	11	F04/F05	10-15N
1 1/2"	38	108	187	93	11	F05/F07	15-20N
2"	50	128	187	103	14	F05/F07	20-25N
2 1/2"	65	160	215	165	17	F07/F10	40-60N



No.	Parts name	Material	No.	Parts name	Material
1	Body	CF8M	13	Stop washer	304
2	End cap	CF8M	14	Metal ring	304
3	Ball	316	15	Handle	SS
4	Stem	316	16	Handle nut	A2-70
5	Seat	PTFE	17	Locking pad	SS
6	Gasket	PTFE	18	Handle sleeve	PVC
7	Thrust Washer	PTFE	19	Nut	304
8	Stem O-ring		20	Elastic gasket	304
9	Packing	PTFE	21	Bolt	304
10	Metal ring	304	22	Stop nut	304
11	Belleville washer	304	23	Stop bolt	304
12	STEM NUT	304	24		

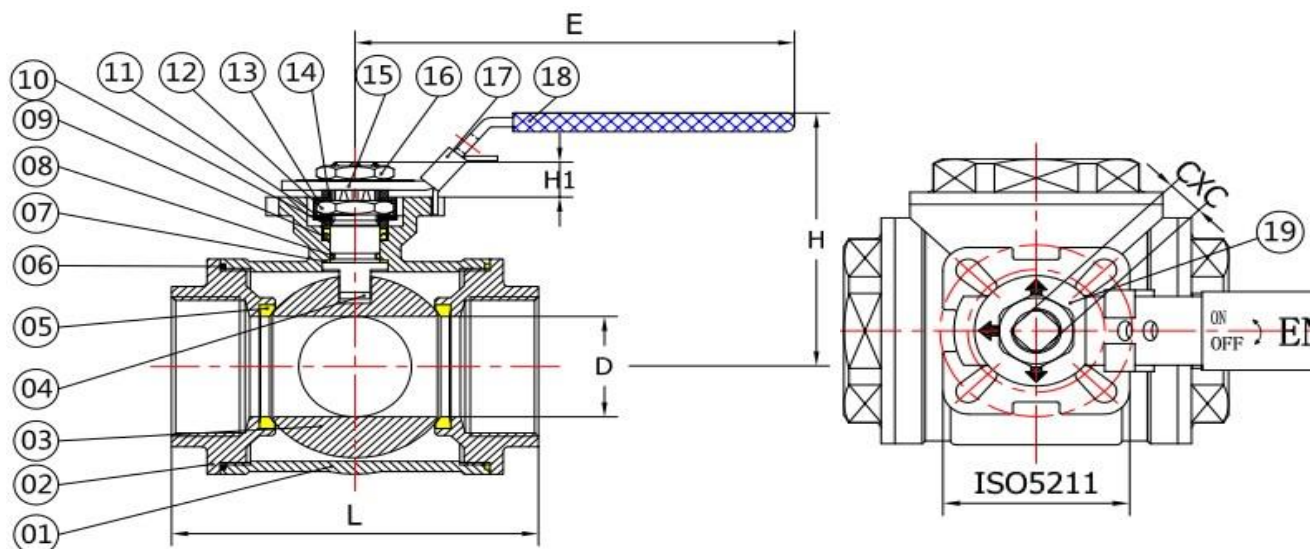
general	valve type	Straight through	standards	manufacture	ASME B 16.34
	nominal size	1/4"~4"		pressure/temperature	ASME B 16.34
	class	1000PSI		face to face	
	end type	Internal thread		Connection standard	BSP/BSPT/NPT
	operator	lever		test and inspection	API 598

PNEUMATRON

www.pneumatron.co.za

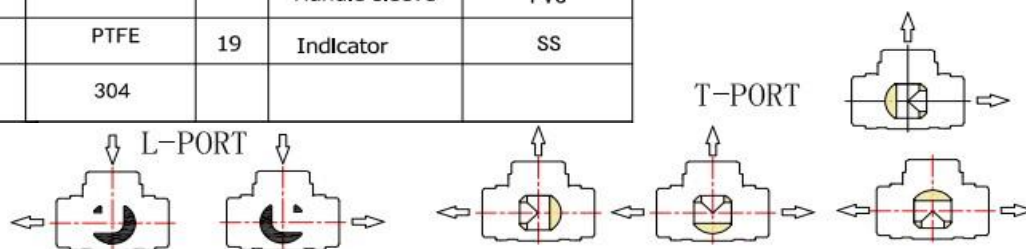
sales01@pneumatron.co.za

3 - PIECE S/STEEL 316 - 3 PORT BALL VALVE Rated MAX 50 Bar Pressure - ISO5211 - VB3B-316-IS



SIZE	D	L	H	E	H1	C	ISO 5211	Torque
½	12	68	71	120	9	9	F03/F04	6-8N
¾	15	88	74	120	9	9	F03/F04	8-10N
1	20	90	90	135	11	11	F04/F05	10-15N
1¼	25	105	95	187	11	11	F04/F05	12-18N
1½	32	120	99	187	14	14	F05/F07	15-20N
2	43	140	108	187	14	14	F05/F07	20-30N

No.	Parts name	Material	No.	Parts name	Material
1	Body	CF8M	11	Belleville washer	304
2	End cap	CF8M	12	Stem nut	304
3	Ball	316	13	Stop washer	304
4	Stem	316	14	Metal ring	304
5	Seat	PTFE	15	Handle	SS
6	Gasket	PTFE	16	Handle nut	A2-70
7	Thrust washer	PTFE	17	Locking pad	SS
8			18	Handle sleeve	PVC
9	Packing	PTFE	19	Indicator	SS
10	Gland	304			



PNEUMATRON

www.pneumatron.co.za

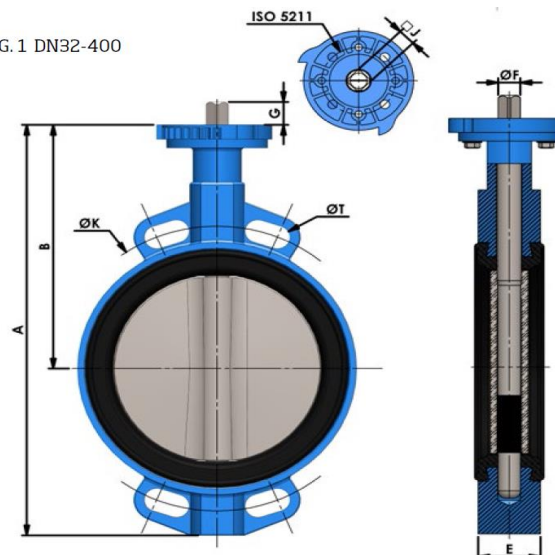
sales01@pneumatron.co.za

SS316 DISC WAFER BUTTERFLY VALVE + EPDM ISO5211 - TBUT32-TBUT125

TECHNICAL DATA :-

Manufacturing range	DN32 – DN2000
Face to face	EN 558 Series 20 ISO 5752 Series 20 API 608 Table 1 BS 5155 Series 4
Mounting between	PN10/16-ANSI150 Lbs.
Flanges	ISO 7005, DIN 2501, BS 4504 ANSI Class 150: ANSI B16.5
Top Flange	ISO 5211
Tightness Test	ISO 5208, zero leakage API 598
Coating	Rilsan®
Working Pressure	DN32 – DN600, Max. 20 bar >DN600, Max. 16 bar

FIG. 1 DN32-400



FEATURES :-

- Valves certified and approved for different applications.
- 100% tight shut off, 0% leakage.
- Replaceable or vulcanized seat.
- One piece dry shaft. The fluid is not in contact with either the shaft or the body.
- Bi-directional sealing.
- Self-cleaning.
- Lightweight design for easier installation.
- Easy maintenance.
- Possibility of operation through different manual controls (hand lever, gearbox...), electric, pneumatic, hydraulic actuator,...
- Low operation torque.
- Aerodynamic butterfly design that minimizes pressure drop.

Chart for temperature and resistance:

Name	Applications	Limitations	Temp. Rating
EPDM	Water, sea water, alcohols, organic salts dissolutions, mineral acid solutions, mineral bases alkaline	Not recommended for organic hydrocarbons	-20°C to 110°C

Dimensiones válvulas / Valves dimensions										PN10		PN16		ANSI150	
DN		A	B	E	F	G	J	ISO 5211	Peso Weight (Kg)	K	Taladros Holes N°xT	K	Taladros Holes N°xT	K	Taladros Holes N°xT
mm	In														

FIG. 1 DN32-400

32	1 1/4"	206	140	33	9,8	14	8	F05/07	2	100	4x18	100	4x18	88,9	4x16
40	1 1/2"	206	140	33	9,8	14	8	F05/07	2	110	4x18	110	4x18	98,5	4x16
50	2"	228	156	43	9,8	14	8	F05/07	3,5	125	4x18	125	4x18	120,6	4x19
65	2 1/2"	248	161	46	12	16	9	F05/07	4,5	145	4x18	145	4x18	139,7	4x19
80	3"	265	169	46	14	16	11	F05/07	5	160	4x18	160	4x18	152,4	4x19
100	4"	298	187	52	14	20	11	F05/07	6,5	180	4x18	180	4x18	190,5	4x19
125	5"	331	206	56	18	20	14	F07	8	210	4x18	210	4x18	215,9	4x23
150	6"	349	215	56	18	20	14	F07	9	240	4x23	240	4x23	241,3	4x23
200	8"	430	255	60	22	24	17	F07	15	295	4x23	295	4x23	298,5	4x23
250	10"	461	248	68	25	24	19	F10	21,5	350	4x23	355	4x27	362	4x26
300	12"	524	280	78	28	24	22	F10	30	400	4x23	410	4x27	431,8	4x26
350	14"	570	300	78	28	29	22	F14	39	460	4x23	470	4x27	476,3	4x29
400	16"	644	340	102	35	29	27	F14	52	515	4x27	525	4x30	539,8	4x29