

# PNEUMATRON

[www.pneumatron](http://www.pneumatron)

[sales01@pneumatron.co.za](mailto:sales01@pneumatron.co.za)

## POM30 - PLASTIC ELECTRIC ACTUATORS ISO5211 MOUNTING STANDARD

### PLEASE NOTE

There are Electronic Boards inside these valve actuators and therefore they should not be mounted on surfaces or pipes that vibrate excessively.

### GENERAL SPECIFICATIONS:

Allowed Ambient Temperature for operation : -10°C to +70°C

Standard Rotation Angle Preset : 90°

Voltages: 220VAC, 24VDC, 24VAC

Pressure: 0 to 10 Bar

Open/Close Time: 15 Seconds

Enclosure Rating: IP67 - Waterproof & Dustproof



PART NO:	VOLTAGE Volts	POWER Watts	CURRENT Amps	PRESSURE Bar	90° RUNTIME Seconds	TORQUE Output Nm	SHAFT	FLANGE	RATING
POM30A	220VAC	10W	0.25A	10 Bar	15S	35	14*14	F03/F05	IP67
POM30B	24VDC	10W	0.5A	10Bar	15S	35	14*14	F03/F05	IP67
POM30C	24VAC	10W	0.25A	10 Bar	15S	35	14*14	F03/F05	IP67

**PVC Valve Bodies Available in 2 1/2" (65mm), 3" (80mm), and 4" (100mm)**

**PLEASE NOTE:** We cannot assist you with the wiring or connection to any system. Please get a Qualified electrician to assist you with the wiring as per diagram actuator.

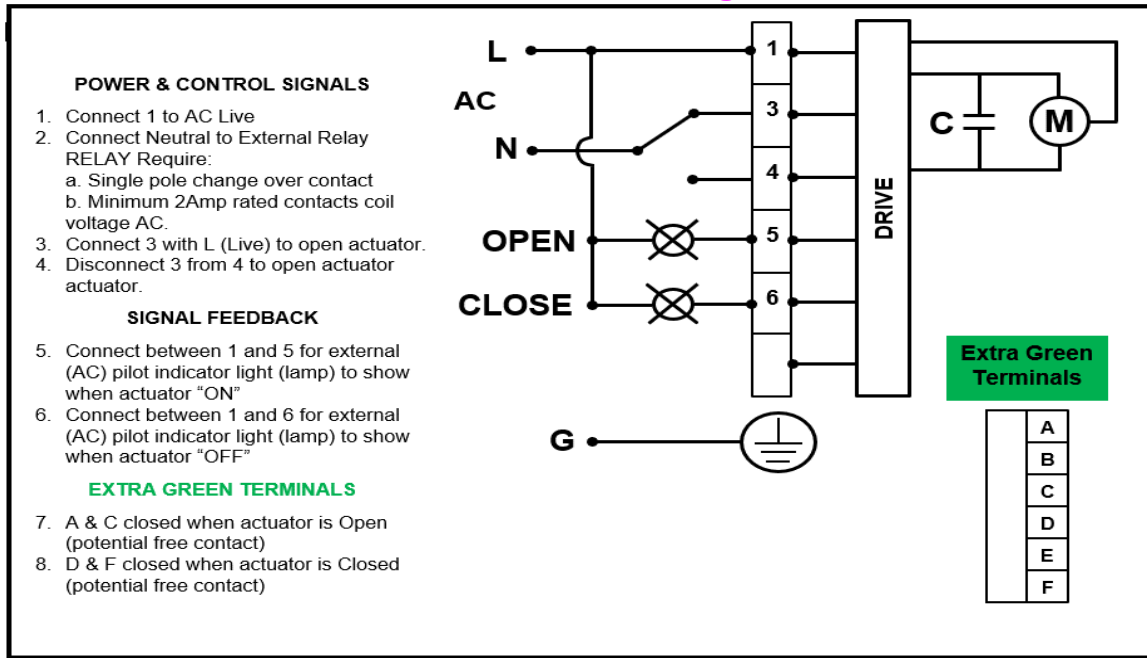
# PNEUMATRON

www.pneumatron.co.za

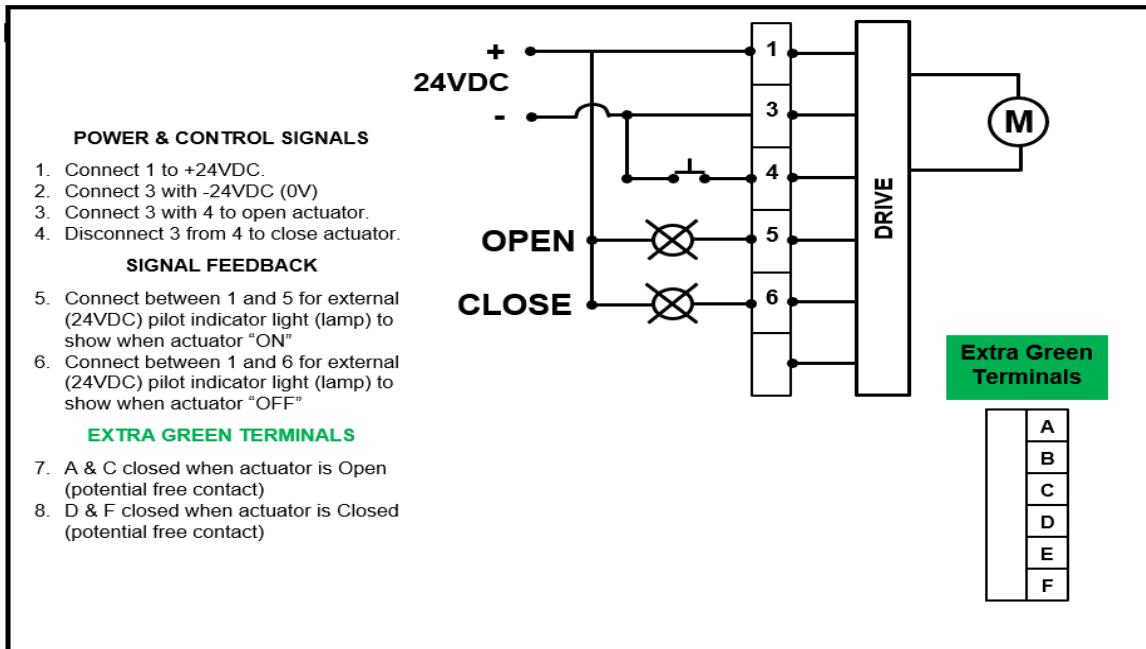
sales01@pneumatron.co.za

## Wiring diagram:

### POM30 - AC Voltage



### POM30 - DC Voltage



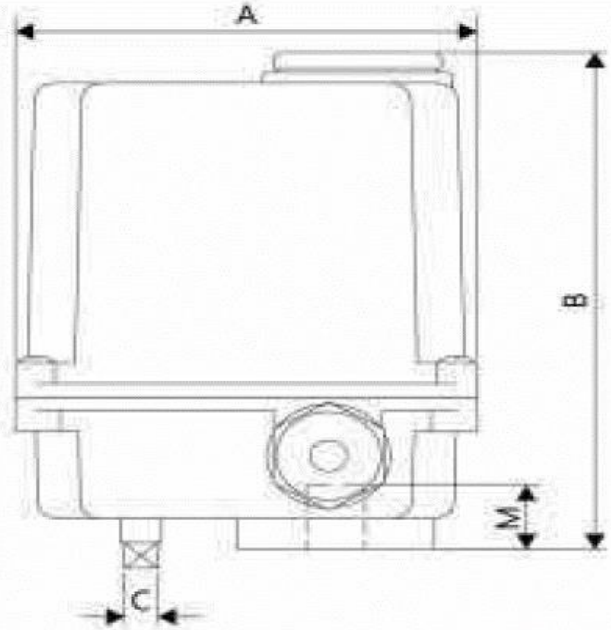
# PNEUMATRON

www.pneumatron.co.za

sales01@pneumatron.co.za

## Dimensions

### POM30-DIMENSIONS



POM30	
A	118
B	145
C	8
D	140
E	26
F	40
G	M5
H	4
I	M6
J	4
K	50
L	14
M	19
N	45°
ISO5211	F03/F05

