

PNEUMATRON

www.pneumatron.co.za

sales01@pneumatron.co.za

POM1/POM2/POM3 - ELECTRIC ACTUATORS

ISO5211 MOUNTING STANDARD

PLEASE NOTE

There are Electronic Boards inside these valve actuators and therefore they should not be mounted surfaces or pipes that vibrate excessively.

GENERAL SPECIFICATIONS:

Allowed Ambient Temperature for operation : -25°C to +60°C

Standard Rotation Angle Preset : 90°

Control Signal Input :(OPTIONAL) 4-20mA STANDARD (0-5V or 0-10V Optional)

Position Feedback Type "C" wiring - 1 K ohm Potentiometer Position reading

Position Feedback : STANDARD: En Position Potential free Change Over contact

Analog Position Feedback Signal : OPTIONAL 4-20mA Signal

Insulation Resistance: 100mΩ/300VDC (DC -F-Type) and 100mΩ/300VDC(DC -B-Type)

Voltage Resistance: 500VAC/ 1Minute(DC -F-Type) and 1500VAC/ 1Minute(DC -B-Type)

PART NO:	VOLTAGE Volts	CURRENT Amp(*) RUN(MAX)	90° RUNTIME Seconds	TORQUE Output Nm	WIRING Type	RATING	WEIGHT Kg
POM1-220VAC-10S	220AC	0.24	15S or Less	20	B	IP67	2.4
POM1-24VDC -10S	24DC	0.8 (2)	15S or Less	50	F	IP67	2.4
POM2-220VAC-10S	220AC	0.32	15S or Less	70	B	IP67	4.2
POM2-24VDC -10S	24DC	1.2(2.4)	15S or Less	100	F	IP67	4.2
POM24C-200-60S-220	220AC	0.70	55S or Less	400	C	IP67	7.2
POM3-220VAC-10S	220AC	0.92	15S or Less	260	B	IP67	8
POM3-24VDC -10S	24DC	3.2(8)	15S or Less	500	F	IP67	8

* Max current would be at most 200ms at full LOAD specified by the Manufacturer- but when we ourselves build complete valves MAX current will not really happen as we oversize our actuators by 70% to 230% more than the maximum required as Valve BODY Breakaway Torque specified at your Order pressure required for the valve Media. Also you will find our large actuators to rotate 90 Degrees to close or open in 15 or less seconds.(Except for special Order types like POM24C.)

Other manufacturer actuators can take up to 60 seconds for 90 degrees(quarter turn rotation). All this means we are more expensive, but our products are more reliable in our climate with less possibility of overheating, failure and downtime. Faster rotation also yields shorter process cycles and faster production.

PNEUMATRON

www.pneumatron.co.za

sales01@pneumatron.co.za

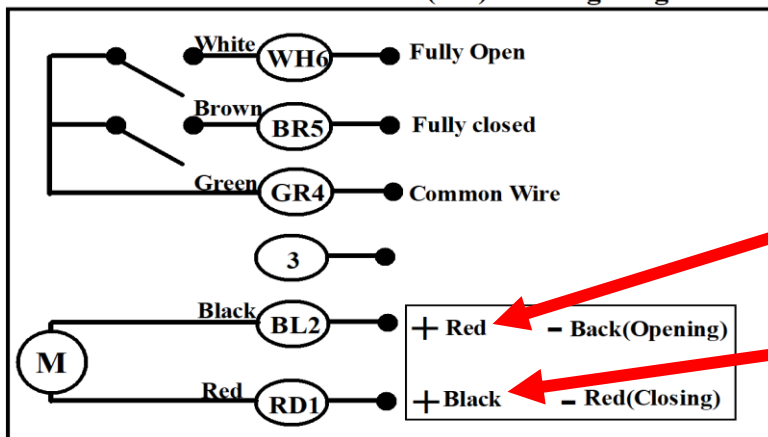
All POM- "F" WIRING

FOR POM1/2 - External Relay Contacts Must be Rated minimum 5 Amp/DC

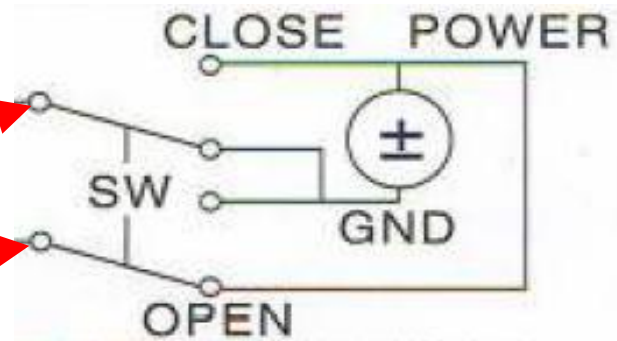
FOR POM 24C/3 - External Relay Contacts Must be Rated minimum 10 Amp/DC

ALL Actuator Motors Will Stop on their own Automatically once they reaches OPEN or CLOSED position

STANDARD POM -TYPE F(DC) - Wiring Diagram

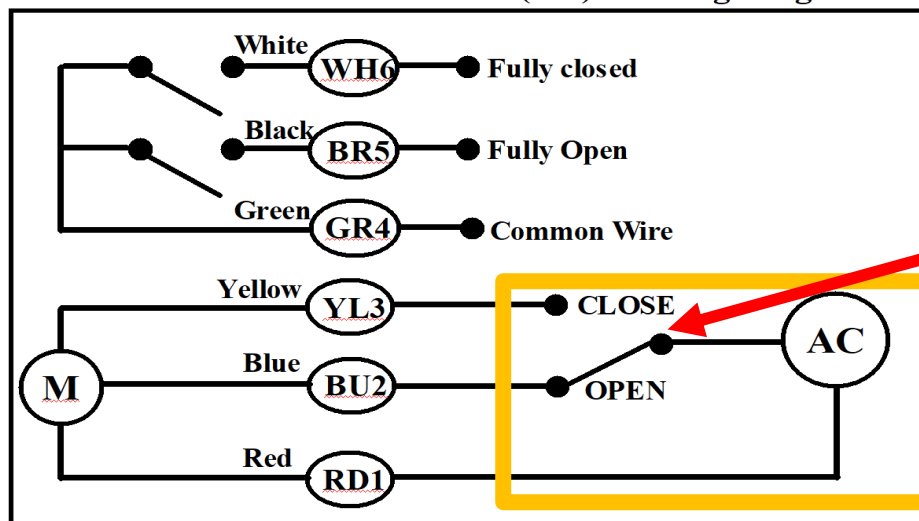


SW -EXTERNAL CUSTOMER RELAY CONTACTS, USE A DOUBLE POLE CHANGEOVER RELAY



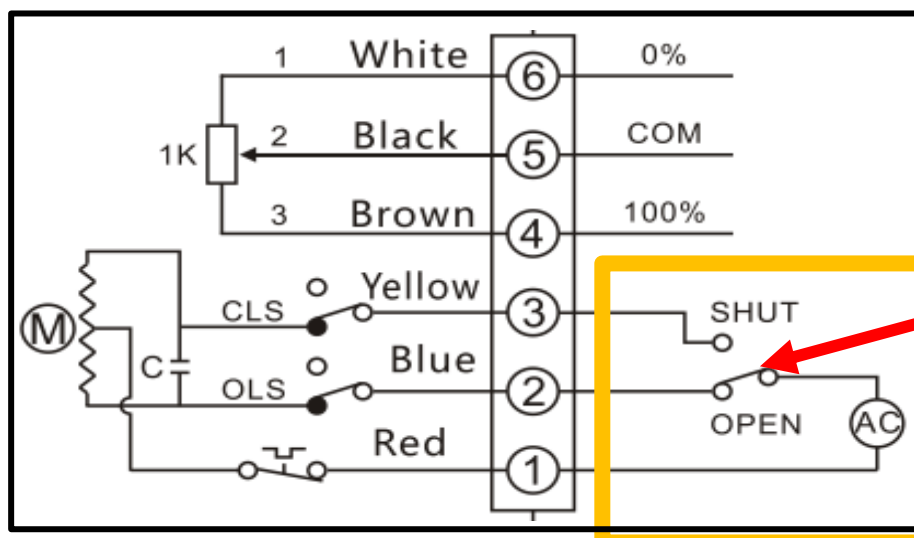
All POM- "B" WIRING

STANDARD POM -TYPE B(AC) - Wiring Diagram



SW -EXTERNAL CUSTOMER RELAY CONTACTS, USE A SINGLE POLE CHANGEOVER RELAY - MINIMUM 5 Amp -220 VAC

All POM- "C" WIRING(1K Ohm - POT Feedback)



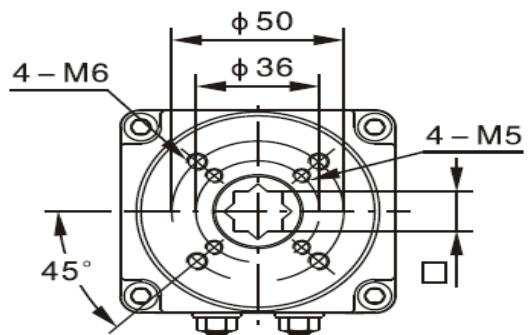
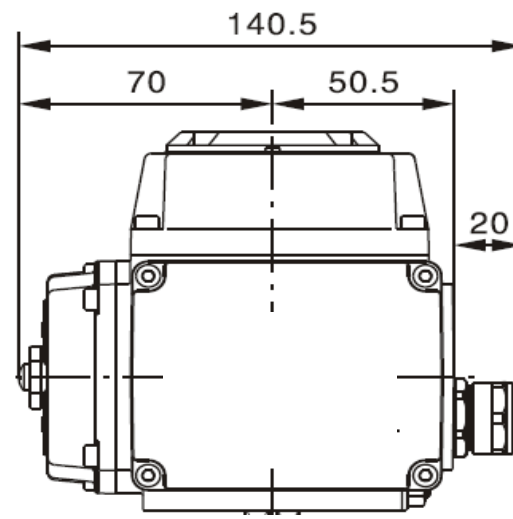
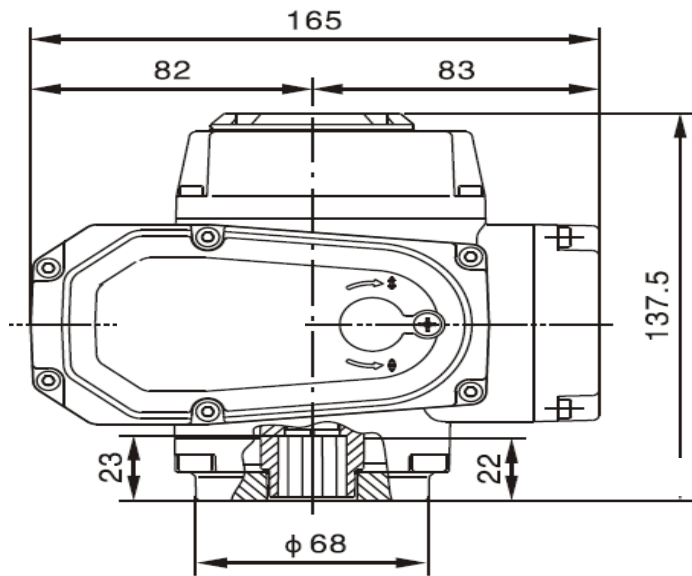
SW -EXTERNAL CUSTOMER RELAY CONTACTS, USE A SINGLE POLE CHANGEOVER RELAY - MINIMUM 5 Amp -220 VAC

PNEUMATRON

www.pneumatron.co.za

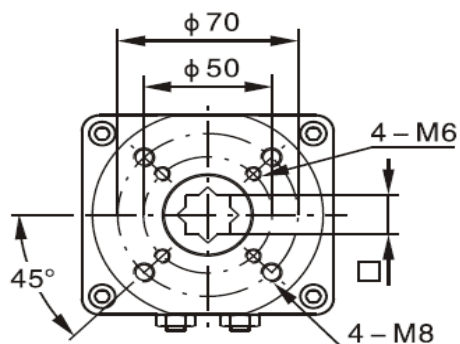
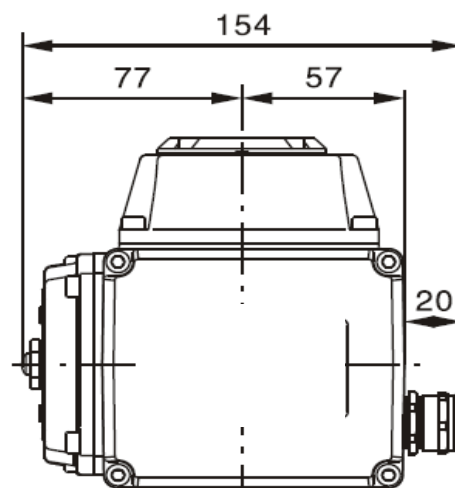
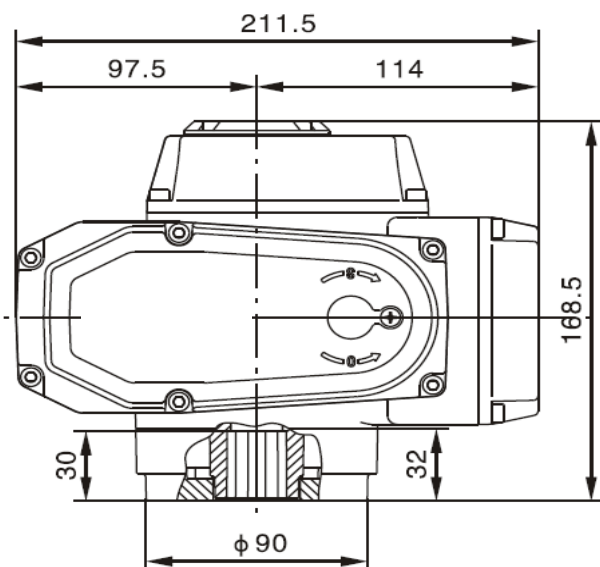
sales01@pneumatron.co.za

POM 1-DIMENSIONS



Direct-installation type parameters(ISO5211 standard)	
Square socket	<input type="checkbox"/> 9×9 <input type="checkbox"/> 11×11 <input type="checkbox"/> 14×14
Flange	F03 F05
Valve rod	Height ≤ 20mm

POM 2-DIMENSIONS



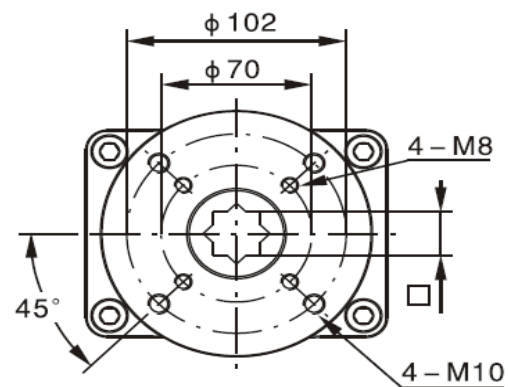
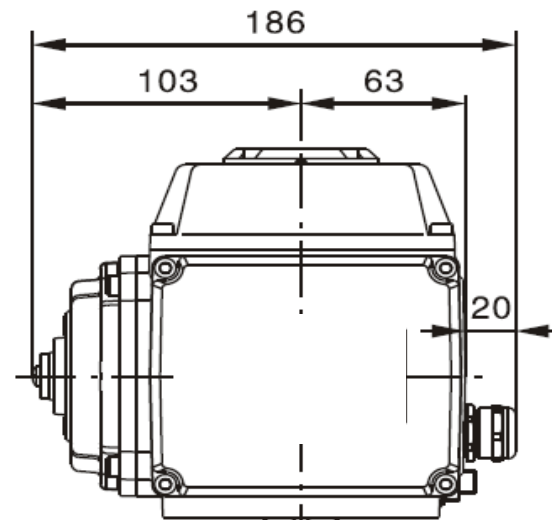
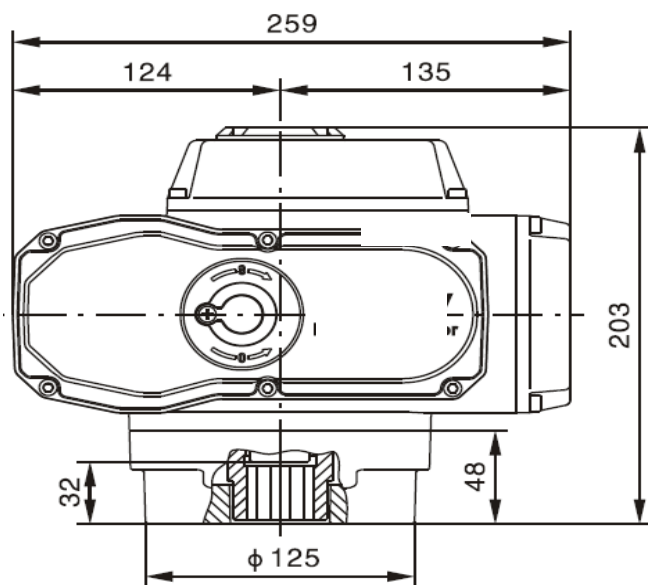
Direct-installation type parameters(ISO5211 standard)	
Square socket	<input type="checkbox"/> 9×9 <input type="checkbox"/> 11×11 <input type="checkbox"/> 14×14 <input type="checkbox"/> 17×17
Flange	F05 F07
Valve rod	Height ≤ 28mm

PNEUMATRON

www.pneumatron.co.za

sales01@pneumatron.co.za

POM 24C/POM 3-DIMENSIONS



Direct-installation type parameters (ISO5211 standard)		
Square socket	<input type="checkbox"/> 14 × 14	<input type="checkbox"/> 22 × 22
	<input type="checkbox"/> 17 × 17	<input type="checkbox"/> 27 × 27
Flange	F07	F10
Valve rod	Height ≤ 30mm	

CUSTOMER VALVE PICTURES



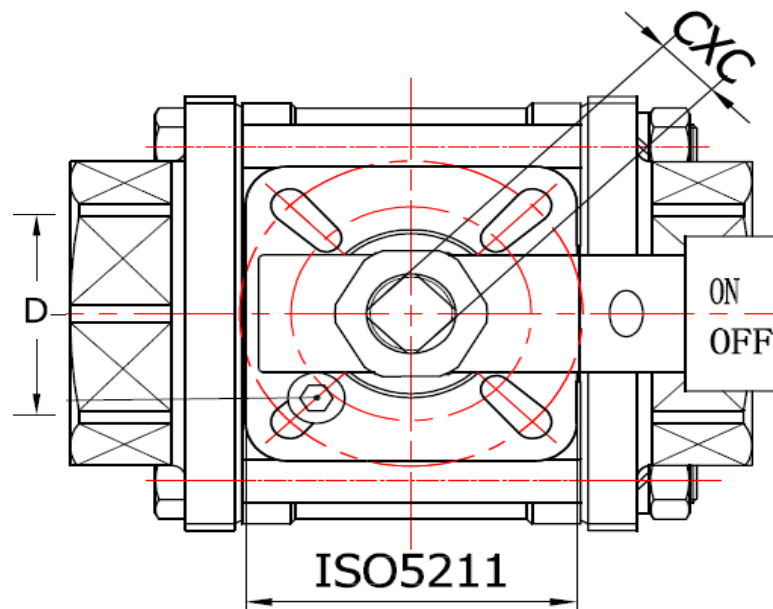
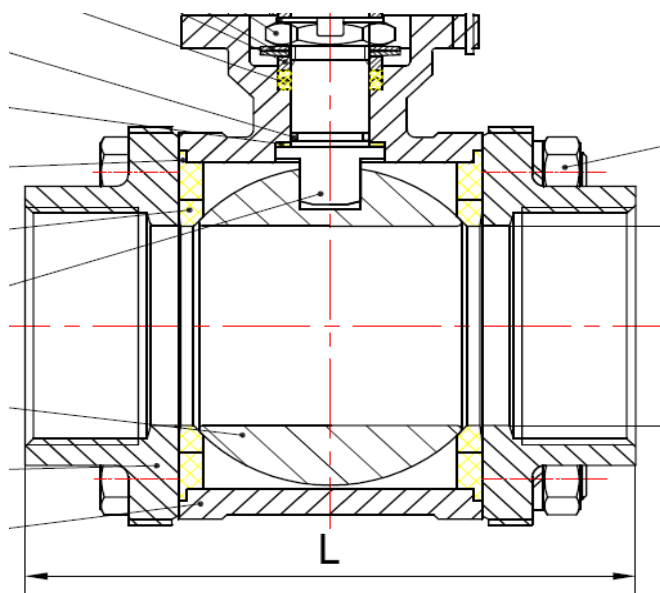
PNEUMATRON

www.pneumatron.co.za

sales01@pneumatron.co.za

3 - PIECE S/STEEL 316 - 2 PORT BALL VALVE Rated MAX 50 Bar Pressure - ISO5211 - VB3B-316-IS

general	valve type	Straight through	standards	manufacture	ASME B 16.34
	nominal size	1/4"~4"		pressure/temperature	ASME B 16.34
	class	1000PSI		face to face	
	end type	Internal thread		Connection standard	BSP/BSPT/NPT
	operator	lever		test and inspection	API 598



SIZE	D	L	C	ISO5211	Torque
1/2"	15	63	9	F03/F04	6-8N
3/4"	20	74	11	F03/F04	8-10N
1"	25	86	11	F04/F05	10-12N
1 1/4"	32	96	11	F04/F05	10-15N
1 1/2"	38	108	11	F05/F07	15-20N
2"	50	128	14	F05/F07	20-25N
2 1/2"	65	160	17	F07/F10	40-60N
3"	78	185	17	F07/F10	60-80N
4"	100	225	17	F07/F10	100-150N

No.	Parts name	Material	No.	Parts name	Material
1	Body	CF8M	13	Stop washer	304
2	End cap	CF8M	14	Metal ring	304
3	Ball	316	15	Handle	SS
4	Stem	316	16	Handle nut	A2-70
5	Seat	PTFE	17	Locking pad	SS
6	Gasket	PTFE	18	Handle sleeve	PVC
7	Thrust Washer	PTFE	19	Nut	304
8	Stem O-ring		20	Elastic gasket	304
9	Packing	PTFE	21	Bolt	304
10	Metal ring	304	22	Stop nut	304
11	Belleville washer	304	23	Stop bolt	304
12	STEM NUT	304	24		