

PNEUMATRON

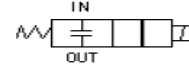
www.pneumatron.co.za

sales01@pneumatron.co.za

2/2 Industrial Solenoid Valve PLZ22 Brass Series for Compressor, High Pressure (N.C)

Characteristic:

1. High pressure solenoid valve for compressor use
2. Compact design with large flow rate

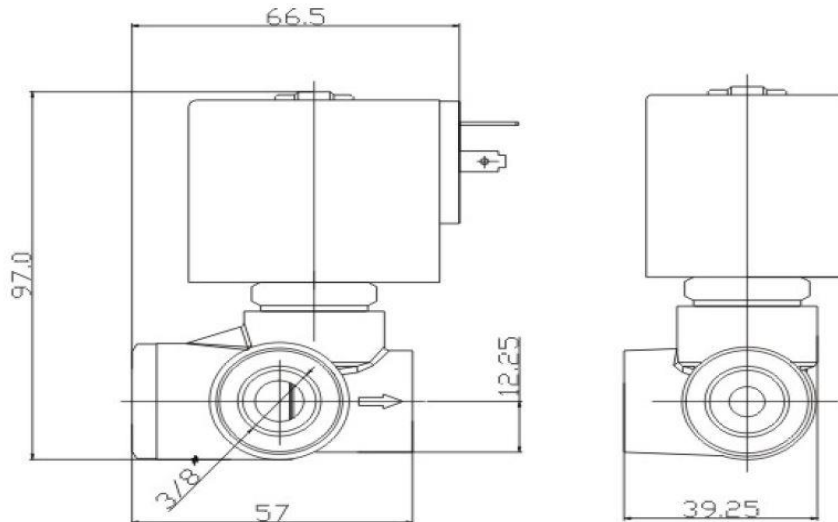


Medium: Air Gas, Water
Medium Temperature: PEEK: -20°C to 100°C
Pressure: Water liquids & Air: 1 to 150 Bar (see table below for more detail)
 Low Temp CO2: 1 to 120 Bar
Body: Brass
Port Size (BSP): 3/8"
Orifice: 8mm
Coil voltages: 220VAC, 110VAC, 48VAC, 24VDC, 12VDC
Coils: IP65, 100%ED



PLZ22 Series, Normally Closed with Coil

Port Size	Orifice (mm)	KV	Min Pressure	Max Pressure		Seals Material	Body Material	Valve Body	Coil
				AC(22VA)	DC(20W)				
3/8"	8	2.68	1 Bar	150 Bar	150 Bar	PEEK	Brass	PLZ22BH08S03K	C17



PNEUMATRON

www.pneumatron.co.za

sales01@pneumatron.co.za

2/2 Industrial Solenoid Valve

PLZ22 Brass Series for Compressor, High Pressure (N.C)

Coil Specifications

Voltage	Inrush (50HZ VA)	Holding (50HZ VA)	Watt (DC)
AC220V		20	
AC110V		20	
AC48V			
DC24V			17
DC12V			17

