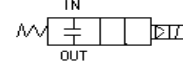


PNEUMATRON

www.pneumatron.co.za

sales01@pneumatron.co.za

2/2 Industrial Solenoid Valve PLP23 Brass Series, Diaphragm Pilot Operated (N.O)



- Characteristics:**
1. Pilot operated diaphragm construction with power, consumption for longtime
 2. Applied to pressure system opened from 0.3 bars
 3. Lifespan can be at 1 million cycles

- Medium:** Air Gas, Water & Light oil ≤ 20 CST
Temperature: VITON: -10°C to 140°C
Pressure: Water & air: 0.5 to 11 Bar (1/2", 3/4" & 1")
 Light oil ≤ 20CST: 0.5 to 8 Bar (1/2", 3/4" & 1")
 Water, Air & Light oil ≤ 20CST: 0.5 to 8 Bar (1 1/2" & 2")
Body: Brass
Port Size (BSP): 1/2", 3/4", 1", 1 1/2", 2"
Orifice: 15mm, 20mm, 25mm, 40mm, 50mm
Coil voltages: 220VAC, 110VAC, 24VDC, 12VDC
Coils: IP65, 100%ED



Material:

- Body material: Brass
 Seal material: VITON
 Armature Tube: Stainless Steel 304
 Plunger: Stainless Steel 430F
 Springs: SS304
 Shading Rings: SS304

PLP23 Brass Series - Normally Open, with Coil

Port Size	Orifice (mm)	KV	Min Pressure	PN Max (water & air)		Seals Material	Body Material	Valve No:	Coil
				AC(20VA)	DC(20W)				
1/2"	13	3.89	0.5 Bar	11 Bar	11 Bar	VITON	Brass	PLP23BH15S04V	C14/15
3/4"	20	6.57	0.5 Bar	11 Bar	11 Bar			PLP23BH20S06V	C14/15
1"	25	10.38	0.5 Bar	11 Bar	11 Bar			PLP23BH25S10V	C14/15
1 1/2"	40	25.95	0.5 Bar	8 Bar	8 Bar			PLP23BH40S14V	C14/15
2"	50	41.52	0.5 Bar	8 Bar	8 Bar			PLP23BH50S20V	C14/15

Coil Specifications

Coil Type	Voltage	Inrush (50HZ VA)	Holding (50HZ VA)	Watt (DC)
C14	AC220V	82	20	
C15		55	24	
C14	AC110V	82	28	
C15		55	24	
C14	DC24V			20
C15				28
C14	DC12V			20
C15				28.5

PNEUMATRON

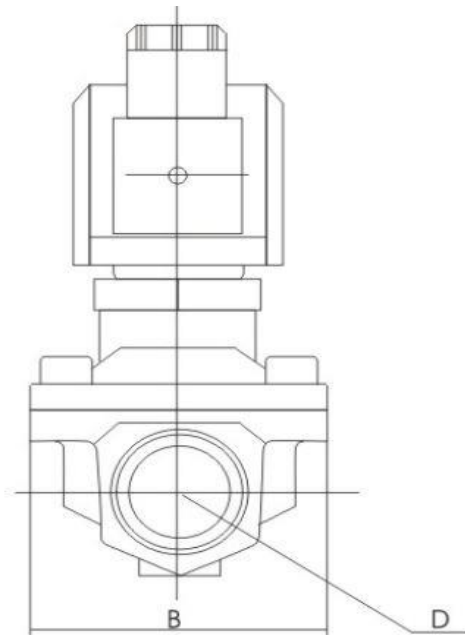
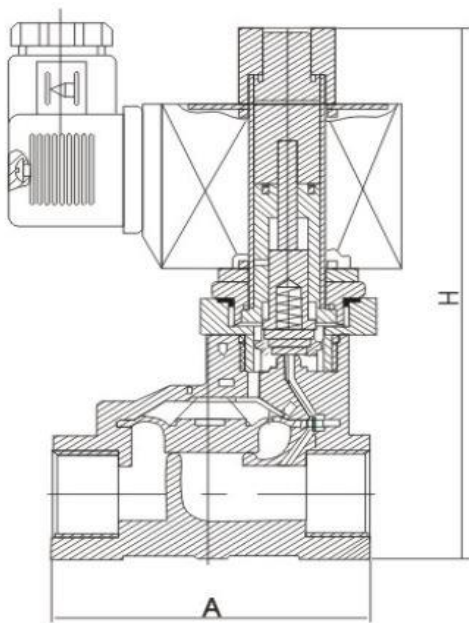
www.pneumatron.co.za

sales01@pneumatron.co.za

2/2 Industrial Solenoid Valve

PLP23 Brass Series, Diaphragm Pilot Operated (N.O)

BODY DIMENSION CODE(Size in mm)			Valve Body
A	B	H	
66	58	124	PLP23BH15S04V
75	58	130	PLP23BH20S06V
96	70	143	PLP23BH25S10V
131	96	158	PLP23BH40S14V
165	120	179	PLP23BH50S20V



PNEUMATRON

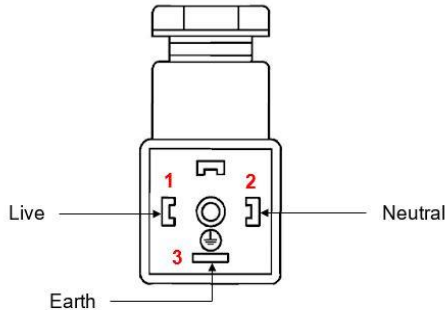
www.pneumatron.co.za

sales01@pneumatron.co.za

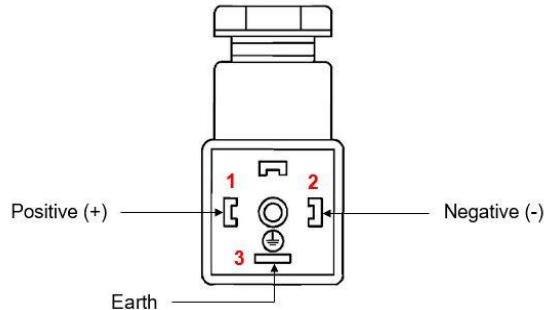
2/2 Industrial Solenoid Valve PLP23 Brass Series, Diaphragm Pilot Operated (N.O)

DIN Plug Wiring Connections

Wiring Connections AC



Wiring Connections DC



VALVE INSTALLATION INSTRUCTIONS

1. These valves should be installed horizontally with the coil on top for the best and most reliable operation, any other installation method is done at own risk.
2. No installation in direct sunlight. If the solenoid valve is installed in direct sunlight the coil and valve must be shaded - a shading steel plate can be mounted above the valve to protect it from direct sunlight. DO NOT box these valve to block direct sunlight, there will be no ventilation to keep the coil cool unless you mount a fan.
3. Insure that the valve is installed correctly as per the flow direction indicated by and arrow on the valve, in/out wording or as per instruction in the data sheet. Incorrect installation will result in malfunction of the valve and possible damage.
4. Check the valve label for pressure range requirements. Any valve should not be used for higher pressure than what they are rated for.
5. The valve label will indicate the valve body material and the seal material. Never apply incompatible fluids or gasses with the body and seal material.
6. The seal material indicates the temperature range that can be used with the valve. Going beyond the temperature range will cause the valve to malfunction.
7. All valves should be cleaned from time to time. Generally, if the voltage to the coil is correct, sluggish valve operation, excessive noise or leakage will indicate that cleaning is required.