

PNEUMATRON

www.pneumatron.co.za

sales01@pneumatron.co.za

2/2 Industrial Solenoid Valve PLM23 Brass Series, Direct Acting (N/Open)

- Characteristic:**
1. Direct acting miniature construction
 2. Compact design to save the space
 3. Applied to low pressure system

Medium: Air Gas, Water & Light oil ≤ 20 CST
Temperature: VITON: -10°C to 140°C
Pressure: 0 to 12 Bar
Body: Brass
Port Size (BSP): 1/4"
Orifice: 3mm
Coil voltages: 220VAC, 24VDC, 12VDC, 24VAC, 110VAC
Coils: IP65, 100%ED

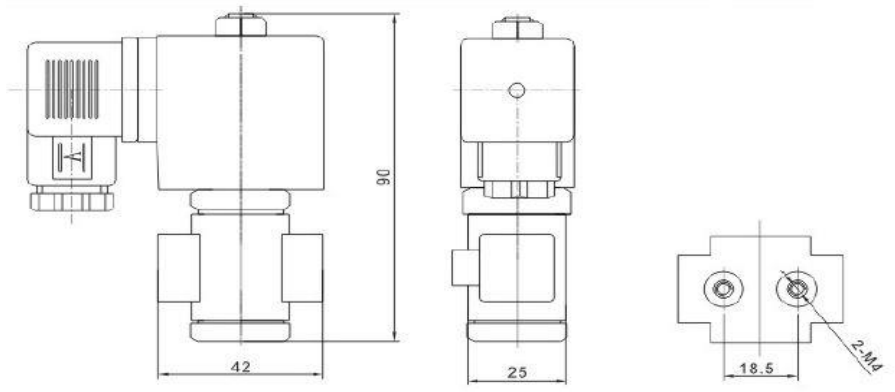


PLM23 Brass Series, Normally Open with Coil

Port Size	Orifice (mm)	KV	Min Pressure	Max Pressure		Seals Material	Body Material	Valve Body	Coil
				AC(22VA)	DC(13W)				
1/4"	3	0.216	0 Bar	12 Bar	12 Bar	VITON	BRASS	PLM23BH03S02V	C13

Coil Specifications

Voltage	Inrush (50HZ VA)	Holding (50HZ VA)	Watt (DC)
AC220V	55	22	
AC110V	55	22	
AC24V	45	18	
DC24V			13
DC12V			13



PNEUMATRON

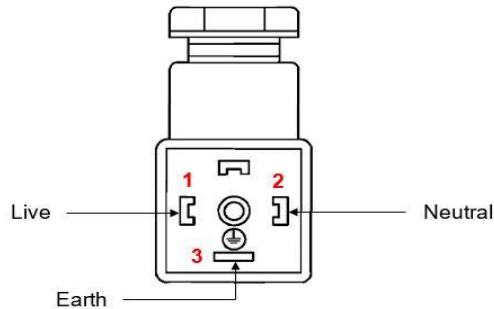
www.pneumatron.co.za

sales01@pneumatron.co.za

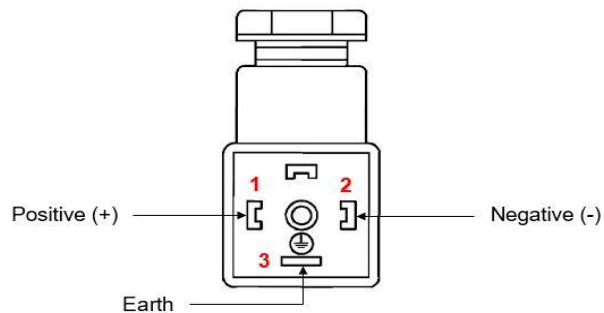
2/2 Industrial Solenoid Valve PLM23 Brass Series, Direct Acting (N/Open)

DIN Plug Wiring Connections

Wiring Connections **AC**



Wiring Connections **DC**



VALVE INSTALLATION INSTRUCTIONS

1. These valves should be installed horizontally with the coil on top for the best and most reliable operation, any other installation method is done at own risk.
2. No installation in direct sunlight. If the solenoid valve is installed in direct sunlight the coil and valve must be shaded - a shading steel plate can be mounted above the valve to protect it from direct sunlight. DO NOT box these valve to block direct sunlight, there will be no ventilation to keep the coil cool unless you mount a fan.
3. Insure that the valve is installed correctly as per the flow direction indicated by and arrow on the valve, in/out wording or as per instruction in the data sheet. Incorrect installation will result in malfunction of the valve and possible damage.
4. Check the valve label for pressure range requirements. Any valve should not be used for higher pressure than what they are rated for.
5. The valve label will indicate the valve body material and the seal material. Never apply incompatible fluids or gasses with the body and seal material.
6. The seal material indicates the temperature range that can be used with the valve. Going beyond the temperature range will cause the valve to malfunction.
7. All valves should be cleaned from time to time. Generally, if the voltage to the coil is correct, sluggish valve operation, excessive noise or leakage will indicate that cleaning is required.