

PNEUMATRON

www.pneumatron.co.za

sales01@pneumatron.co.za

PGBVC Series ELECTRIC MOTOR - 3/2 Way Brass BALL VALVE

SPECIFICATIONS:

Media: Compatible with Brass, PTFE & EPDM.

Ambient temperature: Minus 15 to 50 Deg C

Media temperature: Minus 2 to 90 Degrees C

Voltages: 9/24 VDC and 110/230VAC

Lower Voltage applied, Lowers Speed of movement.

(24VDC Still works at 3V , but slower)

Valve type: 3 Way L Type

Open/Close Time: ≤ 5 sec

Actuator rotation: 90°

(Cable Length 500 mm)



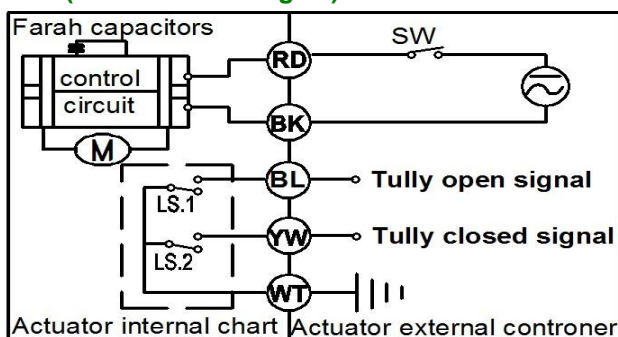
Port & Orifice Size	Pressure Range	Wiring Diagram	Body
3/4" BSP (OR=15mm)	0 to 10 Bar	W52 wiring	PCBVC320W52DX

DX - Describes voltage (D1= AC110-220V, D2= AC/DC9-24V)

NOTE: All ball valves requires at least 1 minute to 3 minutes to charge capacitor for first time use, depending on size.

Wiring diagram:

W52 (With feedback signal)



SW - Switch
BL - Blue
WT - White
YW - Yellow
RD - Red
GR - Green
BK - Black
GY - Gray

SW is closed, the valve opens. Actuator switches off automatically when ball valve is completely open.

SW is open, the valve closes. Actuator switches off automatically when ball valve is completely closed.

BL & WT connects to signal when the valve is fully open.

YW & WT connects to signal when the valve is fully closed.

PNEUMATRON

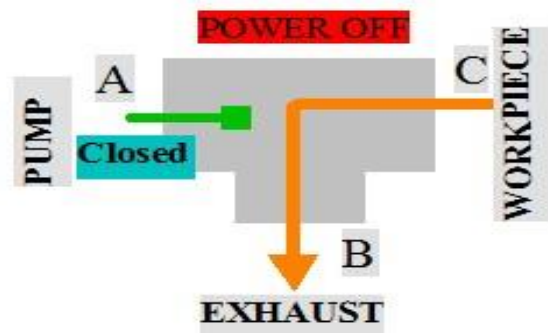
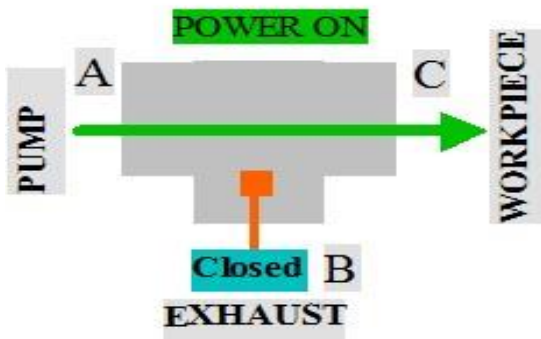
www.pneumatron.co.za

sales01@pneumatron.co.za

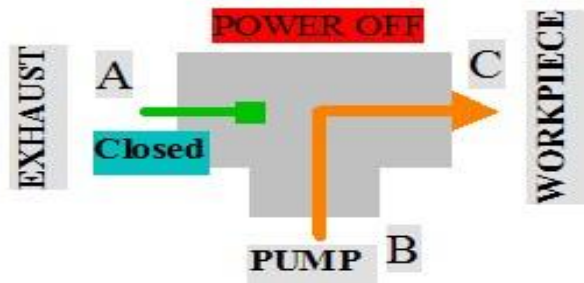
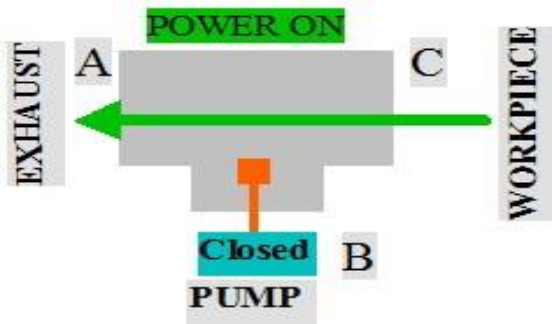
Flow diagram:

3-PORT BRASS VALVE BPVX FLOW CHART

**OPTION 1(N/O):PUMP Connected to Port A,
WORKPIECE to C and EXHAUST to B**



**OPTION 2(N/C):PUMP Connected to Port B,
WORKPIECE to C and EXHAUST to A**



**OPTION 3(Flow Diverter):PUMP Connected to Port C,
WORKPIECE(1) to A and WORKPIECE (2) to B**

