

PNEUMATRON

www.pneumatron.co.za

sales01@pneumatron.co.za

PFA Electric Ball Valve Series ELECTRIC MOTOR - 2/2 Way BRASS BALL VALVE

PLEASE NOTE

There are Electronic Boards inside these valve actuators and therefore they cannot be mounted on vibrating surfaces or pipes. Mount them on a fixed surface and connect to the generator with rubber hoses.

These actuators have been fitted with Farah Capacitors (Battery) to allow the valve to return to its normal position when the power is removed/failed.

SPECIFICATIONS:

Media: Clean Water/Municipal Water Filtered to 20microns

Body: Brass

Ball Seat: PTFE (Teflon)

Ambient temp: -20°C < t < 45°C

Media temp: 2 to 80°C

Voltages: DC9-24V, AC110-220V

Actuator Protection: IP65

Operating power/time: 24VDC@~100mA, 12VDC@~200mA for 6 to 7 seconds (depends on model no.)

PFA Electric Ball Valves are tested in a test bench for a minimum of 10 cycles before being released for sale.



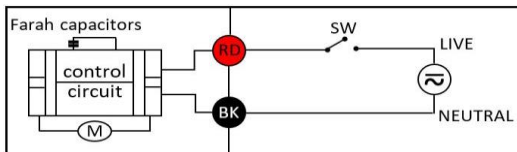
Port (BSP)	Orifice (mm)	KV Flow m3/Hour	Function	Pressure Range	Wiring Diagram	Max Power	Part number
3/4"	20	6.7	Normally Closed	0 to 10 Bar	CR04	<7W (AC/DC)	PFA-30-N/C-DX
3/4"	20	6.7	Normally Open	0 to 10 Bar	CR04	<7W (AC/DC)	PFA-30-N/O-DX

PFA-30-N/C-DX: Choose the X in the part number 1=AC110-220V and 2=DC9-24V (Thus a 1 or a 2)

Wiring:

The "Normally" position is the status of the valve without any power.

D1=AC110-220V



NORMALLY CLOSED (PFA-30-N/C-DX)

When SW is open & the actuator has NO power (OFF/Power Failure) then the valve will be CLOSED (this means Normally Closed).

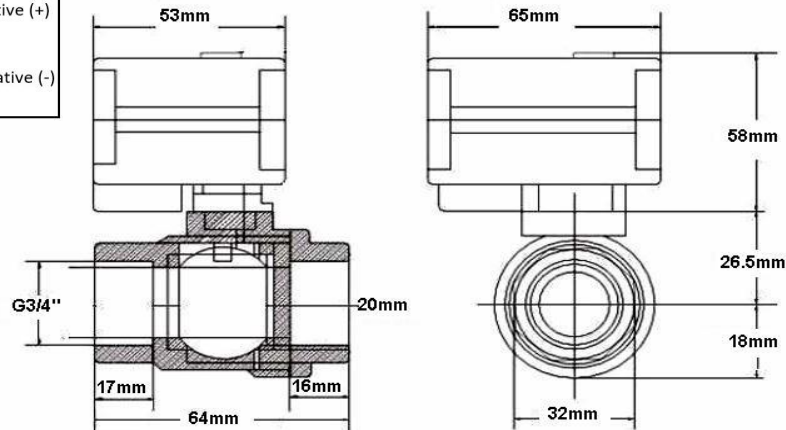
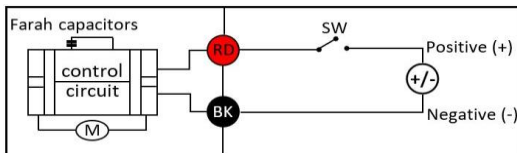
When SW is closed to give power to the actuator the valve will OPEN (the actuator will stop by itself when the valve is completely open)

NORMALLY OPEN (PFA-30-N/O-DX)

When SW is open & the actuator has NO power (OFF/Power Failure) then the valve will be OPEN (this means Normally Open).

When SW is closed to give power to the actuator the valve will CLOSE (the actuator will stop by itself when the valve is completely closed)

D2=DC9-24V



VALVE INSTALLATION INSTRUCTIONS

1. Please note the IP rating of this valve, it is waterproof unless you open the actuator and break the seal (or do not close it properly again).
2. The valve label will indicate the valve body material and the seal material. Never apply incompatible fluids or gasses with the body and seal material.
3. Due to the fact that these actuators have electronic boards, you will have to ensure lightning protection on the power supply and screened cable.