

# PNEUMATRON

www.pneumatron.co.za

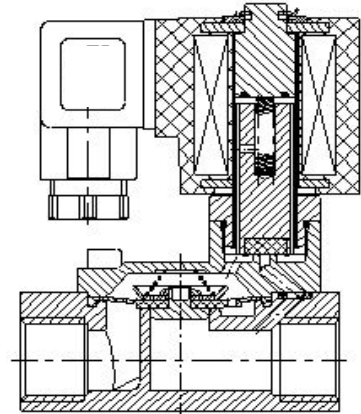
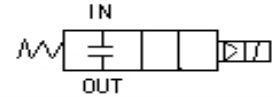
sales01@pneumatron.co.za

## 2/2 Industrial Solenoid Valve PDS22 Brass Series ,Diaphragm Pilot Operated (N.C)

- Characteristics:**
1. Pilot operated diaphragm construction with power, consumption for longtime
  2. Applied to pressure system opened from 0.3 bars
  3. Lifespan can be at 1 million cycles

**Medium:** Water, Oil, Natural gas, Hot water  
**Temperature:** NBR: -5°C to 80°C  
 EPDM: -10°C to 110°C  
 VITON: -10°C to 130°C  
**Pressure:** PDB22 - 0.3 to 16Bar(VAC)  
**Body:** Brass  
**Port Size:** 1/2", 3/4", 1", 1 1/4", 1 1/2", 2"  
**Orifice (mm):** DN 15, 20, 25, 32, 40, 50  
**Coil voltages:** 12VDC/24VDC/110VAC/220VAC/380VAC  
**Coils:** C13DXB, 22VA (AC), 15W (DC), IP65, 100%ED-PDB22 series

**Material:**  
 Body material: Brass  
 Seal material: VITON  
 Armature Tube: Stainless Steel 304  
 Plunger - Stainless Steel 430F  
 Springs - SS 304  
 Shading Rings - Stainless Steel



### PDS22 Brass Series - Normally Closed, with C13DXB coil

Port Size	Orifice	Kv	Min Pressure	Max Pressure		Seals Material	Body Material	Valve No:	Coil
				AC(22VA)	DC(15W)				
1/2"	15	3,88	0.3Bar	16Bar	16Bar	NBR, EPDM, VITON	Brass	PDS22BH15S04V	C13D
3/4"	20	8,02	0.3Bar	16Bar	16Bar			PDS22BH20S06V	C13D
1"	25	10,34	0.3Bar	16Bar	16Bar			PDS22BH25S10V	C13D
1 1/2"	40	24,10	0.3Bar	16Bar	16Bar			PDS22BH40S14V	C13D
2"	50	41,38	0.3Bar	16Bar	16Bar			PDS22BH50S20V	C13D

# PNEUMATRON

www.pneumatron.co.za

sales01@pneumatron.co.za

## 2/2 Industrial Solenoid Valve

### PDS22 Brass Series ,Diaphragm Pilot Operated (N.C)

BODY DIMENSION CODE(Size in mm)					Valve Body
A	B	C	D	G	
73	48	93	13,5	15 (1/2")	PDS22BH15S04V
83	60	114	16,5	20 (3/4")	PDS22BH20S06V
100	70	126	21	25 (1")	PDS22BH25S10V
130	92	140	28,5	40 (1 1/2")	PDS22BH40S14V
156	113	155	34	50 (2")	PDS22BH50S20V

