

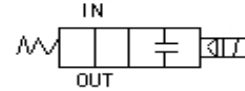
PNEUMATRON

www.pneumatron.co.za

sales01@pneumatron.co.za

2/2 Industrial Solenoid Valve PD23 Series ,Diaphragm Pilot Operated (N.O)

- Characteristics:**
1. Pilot operated diaphragm construction with less power consumption for long time working from 0.3 bars
 2. Lifespan can be at 1 million cycles



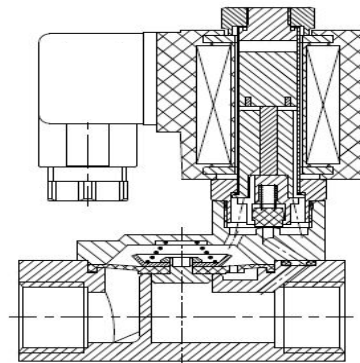
- Medium:** Water, Oil, Natural gas, Hot water
Temperature: NBR: -10°C to 80°C
 EPDM: -20°C to 120°C
 VITON: -10°C to 140°C
Pressure: PD23 - 0.3 to 10Bar(VAC)
Body: Brass or Stainless Steel sus304
Port Size: 1/2", 3/4", 1", 1 1/4", 1 1/2", 2"
Orifice (mm): DN 15, 20, 25, 32, 40, 50
Coil voltages 12VDC/24VDC/110VAC/220VAC/380VAC
Coils: C19DXB, 17VA (AC), 14W (DC), IP65, 100%ED



Special Coils: EX coil AC 220V, DC 24V

Material:

- Body- Brass or Stainless Steel
 Seal: NBR, EPDM, PTFE or VITON
 Armature Tube: Stainless Steel 304
 Plunger - Stainless Steel 430F
 Springs - SS 304
 Shading Rings - Stainless Steel 304



PD23 Series - Normally Open, with Coil C19DXB

Port Size	Orifice	Kv	Min Pressure	Max Pressure		Seals Material	Body Material	Valve Body	Coil
				AC(17VA)	DC(14W)				
1/2"	15	3,88	0.3Bar	10Bar	10Bar	NBR, EPDM, VITON	Stainless	PD23SH15S04V	C19D
3/4"	20	8,02	0.3Bar	10Bar	10Bar			PD23SH20S06V	C19D
1"	25	10,34	0.3Bar	10Bar	10Bar			PD23SH25S10V	C19D
1 1/2"	40	24,10	0.3Bar	10Bar	10Bar			PD23SH40S14V	C19D
2"	50	41,38	0.3Bar	10Bar	10Bar			PD23SH50S20V	C19D

PNEUMATRON

www.pneumatron.co.za

sales01@pneumatron.co.za

2/2 Industrial Solenoid Valve PD23 Series ,Diaphragm Pilot Operated (N.O)

BODY DIMENSION CODE(Size in mm)					Valve Body
A	B	C	D	G	
73	48	93	13,5	1/2"	PD23SH15S04
83	60	104	16,5	3/4"	PD23SH20S06
100	70	116	21	1"	PD23SH25S08
130	92	130	28,5	1 1/2"	PD23SH40S14
156	113	145	34	2"	PD23SH50S20

