

# PNEUMATRON

www.pneumatron.co.za

sales01@pneumatron.co.za

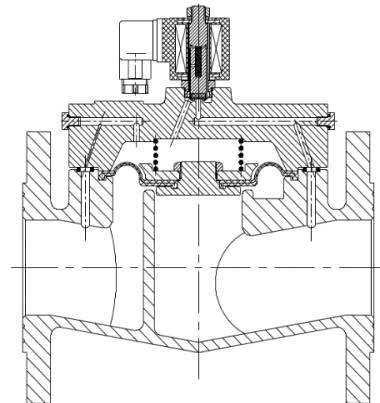
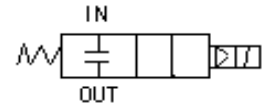
## 2/2 Industrial Solenoid Valve PD22MH Flanged Series, Diaphragm Pilot Operated (N.C)

- Characteristics:**
1. Pilot operated diaphragm construction with power, consumption for longtime
  2. Applied to pressure system opened from 0.3 bars
  3. Flanged Valve

- Medium:** Water, Oil, Natural gas, Hot water  
**Temperature:** NBR: -5°C to 80°C(Standard)  
 EPDM: -10°C to 110°C  
 VITON: -10°C to 130°C  
**Pressure:** PD22MH - 0.3 to 12Bar Max(VAC)  
**Body:** Cast Iron  
**Port Size:** 1 1/2", 2", 2 1/2", 3", 4", 6", 8"  
**Orifice (mm):** DN 40, 50, 65, 80, 100  
**Coil voltages:** 24VDC/220VAC  
**Coils:** 30A (25VA-220VAC/18Watt- 24VDC)

**Material:**

Body material: Cast Iron  
 Sealing material: VITON  
 Protection class: IP65



PD22MH Flanged Series - Normally Closed, with CDHRS coil

Port Size	Orifice	Cv	Min Pressure	Max Pressure		Seals Material	Body Material	Valve No:	Coil
				AC(22VA)	DC(15W)				
1 1/2"	40	21	0.3Bar	12Bar	8Bar	Viton, 130°C	Cast Iron, S/Steel, Brass	PD22MH40S14V	30A
2"	50	30	0.3Bar	12Bar	8Bar			PD22MH50S20V	30A
2 1/2"	65	52.5	0.3Bar	12Bar	8Bar			PD22MH65S24V	30A
3"	80	81.7	0.3Bar	12Bar	8Bar			PD22MH80S30V	30A
4"	100	128.4	0.3Bar	12Bar	8Bar			PD22MH100S40	30A
6"	150	292	0.3Bar	8Bar	8Bar			PD22MH150S60	30A
8"	200	513	0.3Bar	8Bar	8Bar			PD22MH200S80	30A

# PNEUMATRON

www.pneumatron.co.za

sales01@pneumatron.co.za

## 2/2 Industrial Solenoid Valve PD22MH Flanged Series, Diaphragm Pilot Operated (N

BODY DIMENSION CODE(Size in mm)					Valve Body
A	B	C	D	G	
158	93	205	110	1 1/2" (40mm)	PD22MH40S14V
200	127	230	125	2" (50mm)	PD22MH50S20V
235	185	265	145	2 1/2" (65mm)	PD22MH65S24V
310	200	280	160	3" (80mm)	PD22MH80S30V
350	235	330	180	4" (100mm)	PD22MH100S40V
454	318	460	240	6" (150mm)	PD22MH150S60V
573	380	547	295	8" (200mm)	PD22MH200S80V

