

PNEUMATRON

www.pneumatron.co.za

sales01@pneumatron.co.za

PBVD2XXW33 Detent Series ELECTRIC MOTOR - 2/2 Way BRASS BALL VALVE

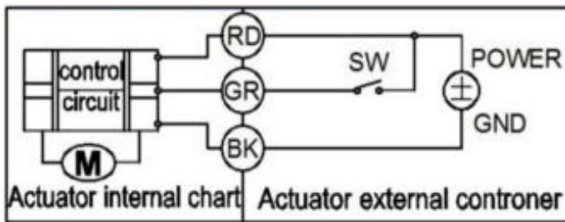
SPECIFICATIONS:

Media: Compatible media with Brass, PTFE & EPDM.
Ambient temperature: Minus 15 to 50 Deg C
Media temperature: 2 to 95 Degrees C
Voltages: 9/24 VDC/AC and 110/230VAC
Lower Voltage applied, Lowers Speed of movement.
(24VDC Still works at 3V , but slower)



Port & Orifice Size	Pressure Range	Wiring Diagram	Body
1/2" BSP (15 mm)	0 to 10 Bar	W33 - wiring	PBVD215W33DX

Wiring options:



SW - Switch
BL - Blue
WT - White
YW - Yellow
RD - Red
GR - Green
BK - Black
GY - Gray

RD & GR connects with positive, BK connects with negative.

SW CLOSED, valve opens, the actuator automatically powers off when valve is completely open.

SW OPEN, valve closes, the actuator automatically powers off when valve is completely closed.

PNEUMATRON

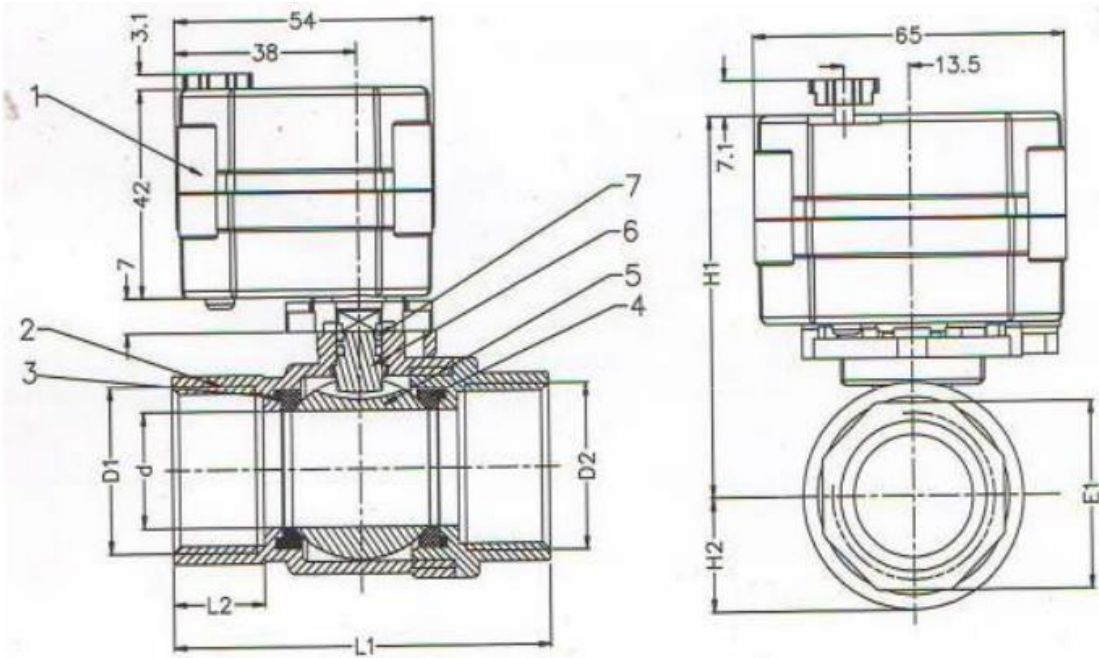
www.pneumatron.co.za

sales01@pneumatron.co.za

Dimensions

PBVD2XXW33 Detent Series

ELECTRIC MOTOR - 2/2 Way BRASS BALL VALVE



BODY DIMENSION CODE (Size in mm)						
Valve body	D1/D2	L1	L2	E1	H1	H2
PBVD215W33DX	1/2" (15mm)	56	13	25	71	16