

# PNEUMATRON

www.pneumatron.co.za

sales01@pneumatron.co.za

## PAV Reduced Bore Series Electric Ball Valve-3 Wire Ctrl (W2) ELECTRIC MOTOR - 2/2 Way Detend BRASS BALL VALVE

### PLEASE NOTE

There are Electronic Boards inside these valve actuators and therefore they cannot be mounted on vibrating surfaces or pipes. Mount them on a fixed surface and connect to the generator with rubber hoses.

### SPECIFICATIONS:

**Media:** Clean Drinking/Municipal Water Filtered to 20microns

**Body & Seal:** Brass & EPDM

**Ball Seat:** PTFE (Teflon)

**Pressure:** 0 to 16 Bar

**Ambient temp:** -10°C < t < 40°C

**Media temp:** 2 to 95°C

**Voltages:** 220VAC, 24VDC, 12VDC

**Power consumption:** 6VA

**Wiring:** W2 - 3 Wire Control Detend

**Actuator Protection:** IP54 (NOT WATERPROOF)

PAV Electric Ball Valves are tested in a test bench for a minimum of 30 cycles before being released for sale.

Open/Close Time for 220VAC: 20 seconds

Open/Close Time for 24VDC & 12VDC: 15 seconds



Port (BSP)	Orifice size (mm)	Function	Pressure Range	Max Power	Complete Valve Part Number
1/2"	12	Detent	0 to 16 Bar	6VA	PAV215-W2-DX (V215 + A60W2DX)
3/4"	17				PAV220-W2-DX (V220 + A60W2DX)
1"	20				PAV225-W2-DX (V225 + A60W2DX)
1 1/4"	24				PAV232-W2-DX (V232 + A60W2DX)
1 1/2"	30				PAV240-W2-DX (V240 + A60W2DX)
2"	36				PAV250-W2-DX (V250 + A60W2DX)

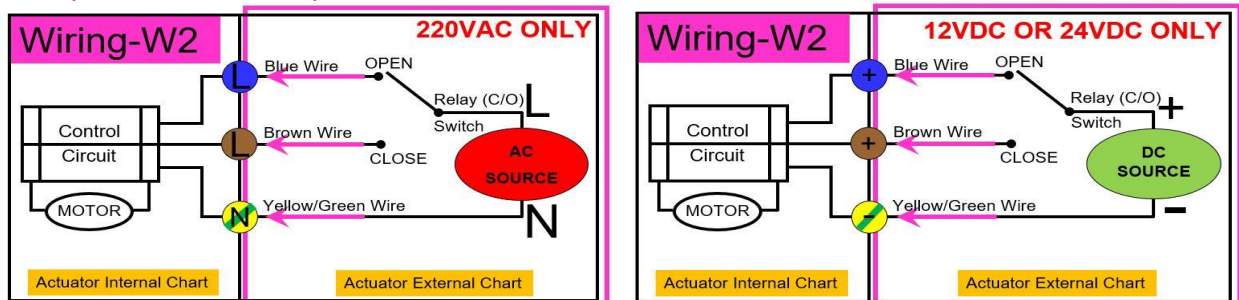
The Complete Valve Part Number consists of two parts, the valve body and the electric actuator.

W2 - Wiring Type (3 wire control)

DX - Describes voltage (D1=AC220V, D2=DC24V, D4=DC12V)

### Wiring:

Detend (3 Wire 2 Point Control)



To Open Valve: Connect Switch to Blue Wire to Open the Valve. Once Valve has fully opened it will automatically power off. The valve will remain in fully Open Position.

To Close Valve: Connect Switch to the Brown Wire to Close the Valve. Once Valve has completely closed it will automatically switch off. The valve will remain in the Closed Position.

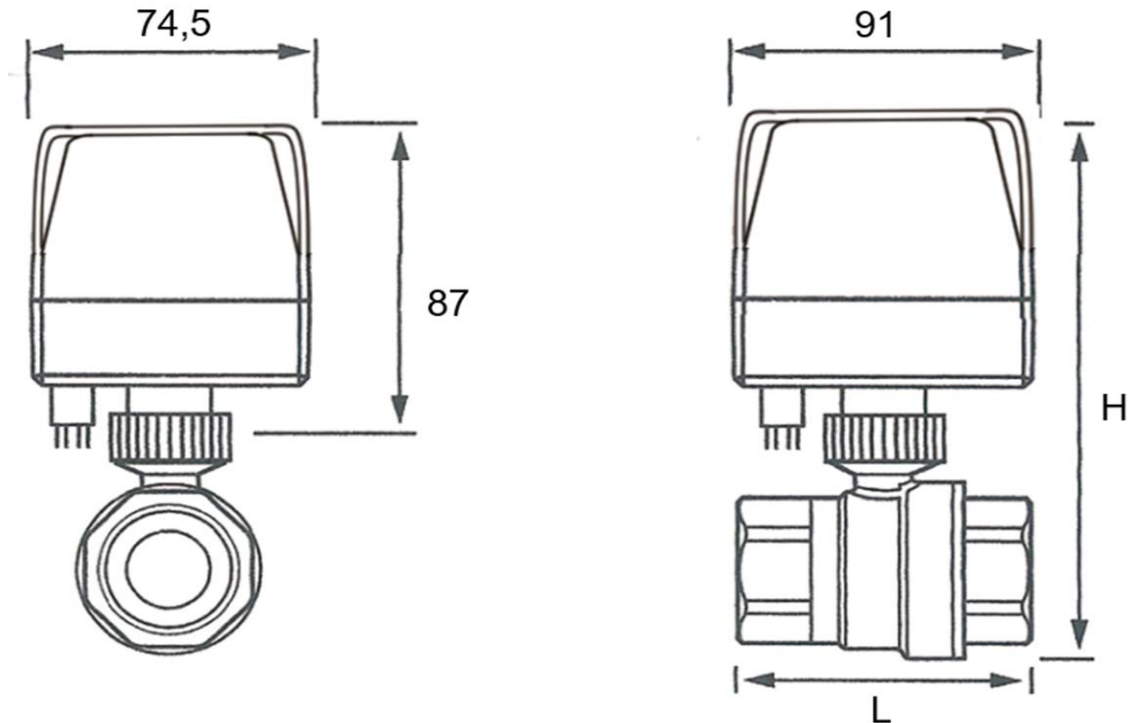
\*\*\*Require a Change Over Relay to control

# PNEUMATRON

www.pneumatron.co.za

sales01@pneumatron.co.za

## PAV Reduced Bore Series Electric Ball Valve-3 Wire Ctrl (W2) ELECTRIC MOTOR - 2/2 Way Detend BRASS BALL VALVE



### BODY DIMENSION CODE(Size in mm)

Part Number	Port	Bore	L	H
PAV215-W2-DX	1/2"	12	51	124
PAV220-W2-DX	3/4"	17	58	131
PAV225-W2-DX	1"	20	64	136
PAV232-W2-DX	1 1/4"	24	74	151
PAV240-W2-DX	1 1/2"	30	82	156
PAV250-W2-DX	2"	37	96	168

### VALVE INSTALLATION INSTRUCTIONS

- Recommended usage for clean drinking water (potable water). If you use this valve for grey water, rain water, dam water or borehole water, make sure you have filtration of at least 20 microns installed before the valve inlets. Other non-corrosive CLEAN liquids with a viscosity of less than 20 centistokes can also be used.**
- Please note the IP rating of this valve is IP54, it is NOT WATERPROOF.
- The actuator should be covered with a plastic bag or water tight box should the valve be installed outside or where there is a possibility that water may come in contact with the actuator. Ideally valve should be installed under a roof or inside a building.
- Mount valve in horizontal position with the actuator on top.
- Check wiring diagram - Yellow/Green Wire should not be mistaken for Earth Wire. Yellow/Green Wire is connected to Neutral for AC Voltages or to Negative for DC Voltages.
- This equipment needs to be connected by a qualified electrician, otherwise consult an electrician before connecting the wires.
- The valve label will indicate the valve body material and the seal material. Never apply incompatible fluids or gasses with the body and seal material.