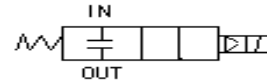


PNEUMATRON

www.pneumatron.co.za

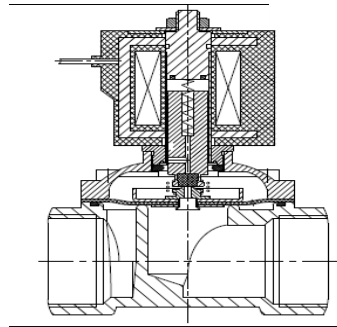
sales01@pneumatron.co.za

2/2 Industrial Solenoid Valve P5W22 Series, Diaphragm Direct Lifting (N.C)



- Characteristics:**
1. Semi direct lifting diaphragm construction.
 2. Open from zero bar for low pressure system use.
 3. High frequency of DIN plug coil.

Medium: Air, Gas, Water, Light Oil (≤ 20 Centistokes)
Temperature: NBR: -10°C to 80°C
Pressure: 0 to 6 Bar (see table below)
Body: Nylon (PA66)
Port Size (BSP): 1/2", 3/4", 1", 1 1/2", 2"
Orifice: 15mm, 20mm, 25mm, 40mm, 50mm
Coil voltages: 220VAC, 110VAC, 24VAC, 24VDC, 12VDC
Coils: IP65, 100%ED



Material:

Body: Nylon (PA66)
 Seal: NBR (Buna)
 Armature Tube: Stainless Steel 304
 Plunger: Stainless Steel 430F
 Springs: SS304
 Shading Rings: Copper

P5W22 Series, Normally Closed, with Coil

Port Size	Orifice (mm)	KV	Min Pressure	Max Pressure		Seals Material	Body Material	Valve Body	Coil
				AC(20VA)	DC(20W)				
1/2"	15	4.15	0 Bar	7 Bar	6 Bar	NBR (Buna)	Nylon (PA66)	P5W22NH15S04B	C14/15
3/4"	20	6.57	0 Bar	7 Bar	6 Bar			P5W22NH20S06B	C14/15
1"	25	10.38	0 Bar	7 Bar	6 Bar			P5W22NH25S10B	C14/15
				AC(50VA)	DC(35W)				
1 1/2"	40	25.95	0 Bar	6 Bar	5 Bar			P5W22NH40S14B	C41
2"	50	41.52	0 Bar	6 Bar	5 Bar			P5W22NH50S20B	C41

PNEUMATRON

www.pneumatron.co.za

sales01@pneumatron.co.za

2/2 Industrial Solenoid Valve P5W22 Series, Diaphragm Direct Lifting (N.C)

BODY DIMENSION CODE(Size in mm)				Valve Body
A	B	C	Port size	
76	68	107	1/2" (15)	P5W22NH15S04B
80	68	111	3/4" (20)	P5W22NH20S06B
107	82	117	1" (25)	P5W22NH25S10B
140	112	170	1 1/2" (40)	P5W22NH40S14B
159	130	190	2" (50)	P5W22NH50S20B

