

# PNEUMATRON

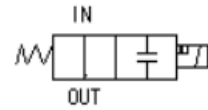
www.pneumatron.co.za

sales01@pneumatron.co.za

## 2/2 Industrial Solenoid Valve P3W23 Series, Diaphragm Direct Lifting (N.O)

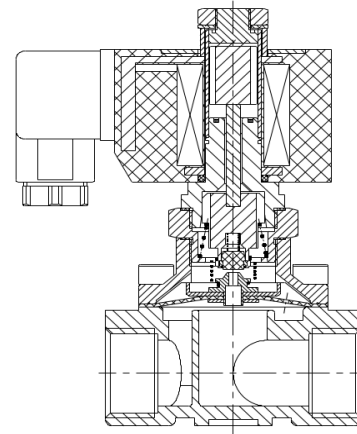
- Characteristics:**
1. Direct lifting diaphragm construction;
  2. Open from zero bar for low pressure system use
  3. High frequency of DIN plug coil

- Medium:** Air, gas, water, petroleum, oil.  
**Temperature:** NBR: -10°C to 80°C  
 EPDM: -20°C to 120°C  
 VITON: -10°C to 120°C  
**Pressure:** P3W23 - 0 to 5(DC) 7(AC) Bar  
**Port Size:** 1/2", 3/4", 1", 1 1/4", 1 1/2", 2"  
**Orifice (mm):** DN 12, 15, 20, 25, 32, 40, 50  
**Coil voltages:** 12VDC/24VDC/220VAC  
**Coils:** C15DXB, 40VA (AC), 30W (DC), IP65, 100%ED



**Material:**

- Body: Brass
- Seal: NBR
- Armature Tube: Stainless Steel 304
- Plunger: Stainless Steel 430F
- Stop: SS430F
- Springs: SS 304
- Shading Rings: Stainless Steel 304



**P3W23 Series Normally Open, with Coils C15DXB**

Port Size	Orifice	Kv	Min Pressure	Max Pressure		Seals Material	Body Material	Valve No:	Coil
				AC(40VA)	DC(30W)				
1/2"	15	4.5	0 Bar	7 Bar	5 Bar	NBR	Brass	P3W23BH15S04V	C15D
3/4"	20	9.3	0 Bar	7 Bar	5 Bar			P3W23BH20S06V	C15D
1"	25	12	0 Bar	7 Bar	5 Bar			P3W23BH25S10V	C15D

# PNEUMATRON

www.pneumatron.co.za

sales01@pneumatron.co.za

## 2/2 Industrial Solenoid Valve P3W23 Series, Diaphragm Direct Lifting (N.O)

BODY DIMENSION CODE(Size in mm)						Valve Body
A	B	C	D	E	Port size	
65	47	116	59.5	38	15 (1/2")	P3W23BH15S04V
72	54	123	59.5	38	20 (3/4")	P3W23BH20S06V
90	70	131	59.5	38	25 (1")	P3W23BH25S10V
120	90	175	64.5	48	32 (1 1/4")	P3W23BH32S12V
120	90	175	64.5	48	40 (1 1/2")	P3W23BH40S14V
150	112	190	64.5	48	50 (2")	P3W23BH50S20V

