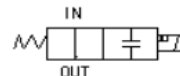


PNEUMATRON

www.pneumatron.co.za

sales01@pneumatron.co.za

2/2 Industrial Solenoid Valve P3W23 Series, Diaphragm Direct Lifting (N.O)



PLEASE TAKE NOTE OF: Special Notes & Installation Instructions on last page

- Characteristics:**
1. Direct lifting diaphragm construction;
 2. For low pressure system use
 3. High frequency of DIN plug coil

Medium: Air Gas, Water & Light oil ≤ 20 CST
Temperature: VITON: -10°C to 130°C
Pressure: Water & air: 0 to 5 Bar
 Light oil ≤ 20CST: 0 to 3 Bar
Port Size (BSP): 1/2", 3/4", 1"
Orifice: 15mm, 20mm, 25mm
Coil voltages: 220VAC, 110VAC, 24VDC, 12VDC, 24VAC
Coils: IP65, 100%ED



Material:

Body: Brass
 Seal: VITON
 Armature Tube: Stainless Steel 304
 Plunger: Stainless Steel 430F
 Stop: SS430F
 Springs: SS304
 Shading Rings: SS304

P3W23 Series Normally Open, with Coil

Port Size	Orifice (mm)	KV	Min Pressure	Max Pressure		Seals Material	Body Material	Valve No:	Coil
				AC (33VA)	DC (20W)				
1/2"	15	4.15	0 Bar	5 Bar	5 Bar	VITON	Brass	P3W23BH15S04V	C14/15
3/4"	20	6.57	0 Bar	5 Bar	5 Bar			P3W23BH20S06V	C14/15
1"	25	10.38	0 Bar	5 Bar	5 Bar			P3W23BH25S10V	C14/15

Coil Specifications

Coil Type	Voltage	Inrush (50HZ VA)	Holding (50HZ VA)	Watt (DC)
C14	AC220V	82	20	
C15		55	24	
C14	AC110V	82	28	
C15		55	24	
C14	DC24V			20
C15				28
C14	DC12V			20
C15				28.5

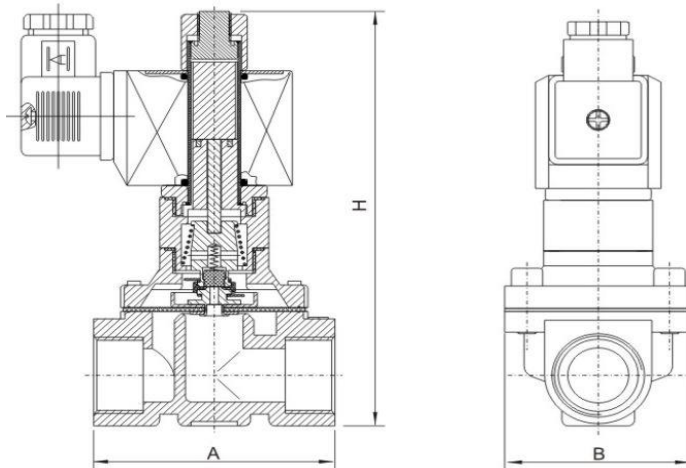
PNEUMATRON

www.pneumatron.co.za

sales01@pneumatron.co.za

2/2 Industrial Solenoid Valve P3W23 Series, Diaphragm Direct Lifting (N.O)

BODY DIMENSION CODE(Size in mm)			Valve Body
A	B	H	
69	57	135	P3W23BH15S04V
73	57	142	P3W23BH20S06V
99	77.5	150	P3W23BH25S10V



SPECIAL NOTES FOR P3W23 VALVE SERIES

- a. These valve do operate from zero pressure due to a large electrical coil that is fitted onto the valve (See wattage of coils in table on first page). These large coils are capable of pulling the diaphragm up once energised without any assistance or pressure. Due to this the valves are suitable to be used on gravity feed applications as well as on the suction side of a pump.
- b. These large coils need to be protected against overheating by the following methods:
 1. No installation in direct sunlight. If the solenoid valve is installed in direct sunlight the coil and valve must be shaded - a shading steel plate can be mounted above the valve to protect it from direct sunlight. DO NOT box these valve to block direct sunlight, there will be no ventilation to keep the coil cool unless you mount a fan.
 2. Coil cannot be activated for extended periods of time in certain applications. Please consult the flow rate specifications for these flow rates (your pump specified flow rate has to exceed the valve flow rate by 50%, if the pump is small and the valve is large you can expect the coil to overheat and eventually burn out).
 3. An alternative solution would be to use electric ball valve series.
 4. Please make sure of required wattage for C16 & C14/15 coils before purchase.

PNEUMATRON

www.pneumatron.co.za

sales01@pneumatron.co.za

2/2 Industrial Solenoid Valve **P3W23 Series, Diaphragm Direct Lifting (N.O)**

VALVE INSTALLATION INSTRUCTIONS

1. These valves should be installed horizontally with the coil on top for the best and most reliable operation, any other installation method is done at own risk.
2. Insure that the valve is installed correctly as per the flow direction indicated by and arrow on the valve, in/out wording or as per instruction in the data sheet. Incorrect installation will result in malfunction of the valve and possible damage.
3. Check the valve label for pressure range requirements. Any valve should not be used for higher pressure than what they are rated for.
4. The valve label will indicate the valve body material and the seal material. Never apply incompatible fluids or gasses with the body and seal material.
5. The seal material indicates the temperature range that can be used with the valve. Going beyond the temperature range will cause the valve to malfunction.
6. All valves should be cleaned from time to time. Generally, if the voltage to the coil is correct, sluggish valve operation, excessive noise or leakage will indicate that cleaning is required.