

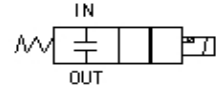
# PNEUMATRON

www.pneumatron.co.za

sales01@pneumatron.co.za

## 2/2 Industrial Solenoid Valve P3W22 Series ,Diaphragm Direct Lifting (N.C)

- Characteristics:**
1. Direct lifting diaphragm construction;
  2. Open from zero bar for low pressure system use
  3. High frequency of DIN plug coil

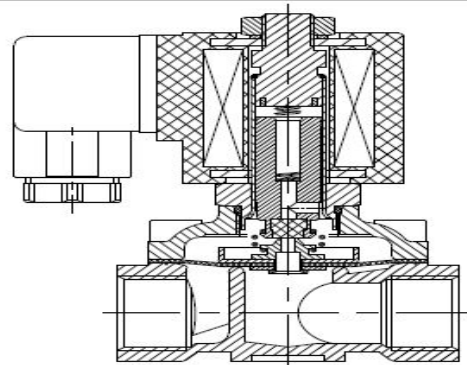


- Temperature:** NBR: -10°C to 80°C  
EPDM: -20°C to 120°C  
VITON: -10°C to 140°C
- Pressure:** P3W22 - 0 to 6 Bar
- Port Size:** 1/2", 3/4", 1"
- Port Thread:** BSPP, BSPT, NPT, Flange, UNF
- Orifice (mm):** DN 12, 15, 20, 25
- Coil voltages:** 12VDC/24VDC/220VAC
- Coils** C19DXB, 17VA (AC), 14W (DC), IP65, 100%ED



### Material:

- Body- Brass or Stainless Steel  
Seal: NBR, EPDM, PTFE or VITON  
Armature Tube: Stainless Steel 304  
Plunger - Stainless Steel 430F  
Stop - SS430F  
Springs- SS 304  
Shading Rings - Stainless Steel 304



### P3W22 Series Normally Closed, with Coils C19DXB

Port Size	Orifice	Kv	Min Pressure	Max Pressure		Seals Material	Body Material	Valve No:	Coil
				AC(17VA)	DC(14W)				
1/2"	15	3,88	0 Bar	6Bar	6Bar	NBR,	Brass	P3W22BH15S04V	C19D
3/4"	20	8,02	0 Bar	6Bar	6Bar	EPDM,		P3W22BH20S06V	C19D
1"	25	10,34	0 Bar	6Bar	6Bar	VITON		P3W22BH25S10V	C19D

# PNEUMATRON

www.pneumatron.co.za

sales01@pneumatron.co.za

## 2/2 Industrial Solenoid Valve P3W22 Series ,Diaphragm Direct Lifting (N.C)

BODY DIMENSION CODE(Size in mm)					Valve Body
A	B	C	D	G	
66	56	97	13,5	1/2"	P3W22BH15S04V
73	56	103	16,5	3/4"	P3W22BH20S06V
97	77,5	111	20,5	1"	P3W22BH25S10V

