

FEATURES

- Solenoid valves satisfy all relevant EC directives
- Two way shut-off valves for automatic control of air, inert gas, water, oil and other gases/liquids compatible with the sealing materials used
- Valves require a minimum ΔP of 0,35 bar

GENERAL

Differential pressure	0,35 - 20 bar [1 bar = 100 kPa]
Maximum viscosity	65 cSt (mm ² /s)
Response times	15 - 60 ms

fluids (*)	temperature range (TS)	sealings (*)
air, inert gas, water, oil	-20 to +85°C	NBR (nitrile / buna-n)

MATERIALS IN CONTACT WITH FLUID

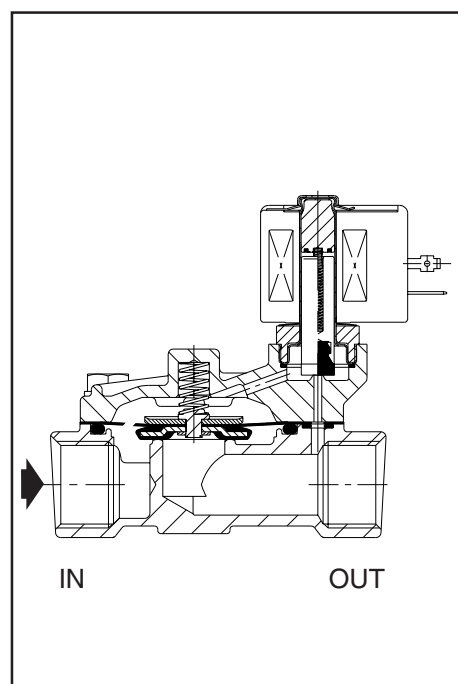
(*) Ensure that the compatibility of the fluids in contact with the materials is verified

Body	Brass
Core tube	Stainless steel
Core and plugnut	Stainless steel
Springs	Stainless steel
Seat	Brass
Sealing, diaphragm & disc	NBR
Shading coil	Copper

ELECTRICAL CHARACTERISTICS

Coil insulation class	F
Connector	Spade plug (Pg 11P)
Connector specification	ISO 4400
Electrical safety	IEC 335
Standard voltages	DC (=): 24V
(Other voltages and 60 Hz on request)	AC (-): 24V - 115V - 230V / 50 Hz

coil type	power ratings				ambient temperature ranges (TS) (°C)	protection
	inrush	holding		hot/cold		
	(VA)	(VA)	(W)	(W)		
CM6 -FT	34	15,6	6	-	-20 to +75	moulded IP65
CMXX-FT	-	-	-	9 / 11,2	-20 to +75	moulded IP65
CMXX-FB	78	35,0	16,7	-	-20 to +50	moulded IP65



SPECIFICATIONS

pipe size	orifice size	flow coefficient Kv		operating pressure differential (bar)				coil type		catalogue number	OPTIONAL				
				maximum (PS)							FPM	EPDM	CR	PTFE	
				min.	air (*)		water/oil (*)								
Rp	(mm)	(m ³ /h)	(l/min)		~	=	~	=	~	=					
3/8	16	2,6	43	0,35	14	9	10	7	CM6-FT	CMXX-FT	SC E210D001	V	E	J	
3/8	16	2,6	43	0,35	20	-	20	-	CMXX-FB	-	SC E210C006	V	E	J	
1/2	16	3,4	57	0,35	14	9	10	7	CM6-FT	CMXX-FT	SC E210D002	V	E	J	
1/2	16	3,4	57	0,35	20	-	20	-	CMXX-FB	-	SC E210C007	V	E	J	
3/4	19	4,3	72	0,35	9	7	9	6	CM6-FT	CMXX-FT	SC E210D009	V	E	J	
3/4	19	5,6	93	0,35	17	9	10	9	CM6-FT	CMXX-FT	SC E210D003	V	E	J	

The codes in the grey shaded areas correspond to commonly used products which can be supplied rapidly

OPTIONS

- Valves can also be supplied with FPM (fluorelastomer / viton), EPDM (ethylene-propylene) and CR (chloroprene / neoprene) diaphragms, sealings and discs. Use the appropriate optional suffix letter for identification
- Waterproof enclosure with embedded screw terminal coil and Pg 13,5 cable gland to meet CEE-10 (IP67)
- Explosionproof enclosures for hazardous locations according to “CENELEC” and national standards (see section 10)
- Explosionproof and watertight enclosures according to “NEMA” standards (see section 10)
- Compliance with “UL” and “CSA” standards
- For protection against corrosion caused by the environment or the fluid, consult us
- Mounting brackets
- Manual operator
- Plug with visual indication and with peak voltage suppression or with cable length of 2m (see section 11)

INSTALLATION

- The valves can be mounted in any position without affecting operation
- Pipe connection identifier is: E = Rp (ISO 7/1)
- The third digit in the catalogue number indicates the standard pipe connection
- Other pipe connections are available on request
- Installation/maintenance instructions are included with each valve
- Spare Parts Kit and replacement coils are available (see section 11)

DIMENSIONS (mm), WEIGHT (kg)

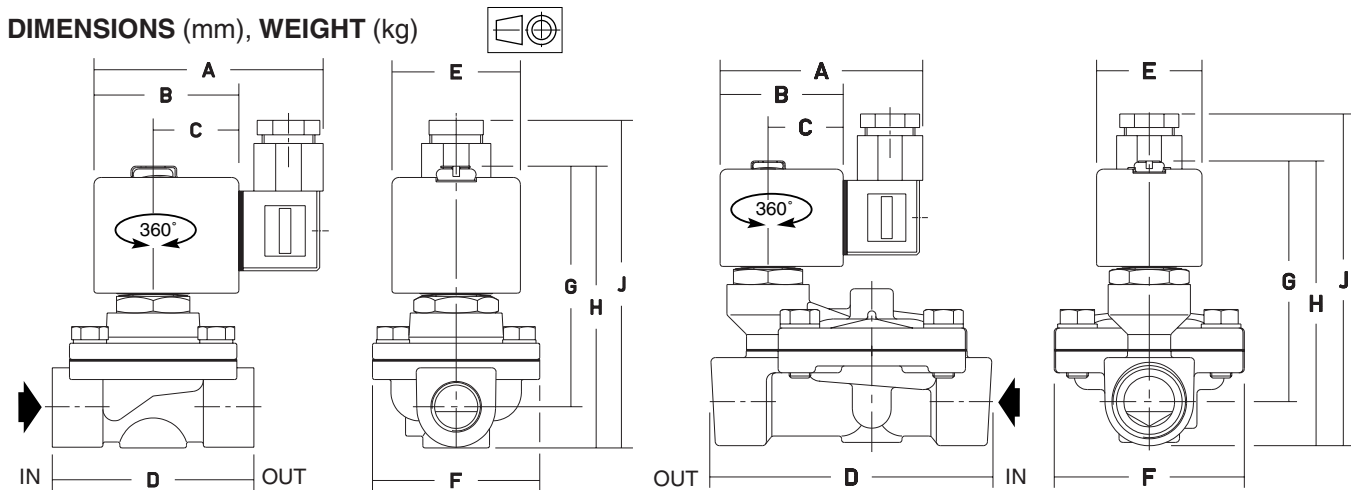


Fig. 1

Fig. 2

catalogue number SC E210	A	B	C	D	E	F	G	H	J	weight (1)	(C)
AC (-) construction											
D001 - D002	75	45	27	70	39	58	72	86	103	0,8	fig. 1
D009	75	45	27	71	39	58	76	92	109	0,8	fig. 1
C006 - C007	80	50	30	70	45	58	85	99	116	0,9	fig. 1
D003	75	45	27	96	39	70	90	105	122	1,4	fig. 2
DC (=) construction											
D001 - D002	80	50	30	70	45	58	85	99	116	0,9	fig. 1
D009	80	50	30	71	45	58	89	106	123	0,9	fig. 1
D003	80	50	30	96	45	70	94	109	126	1,4	fig. 2

(1) incl. coil and connector

(C) Construction type